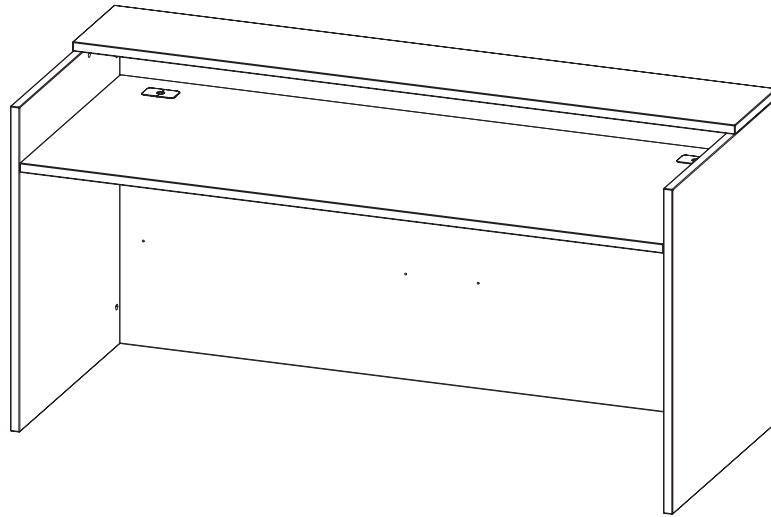


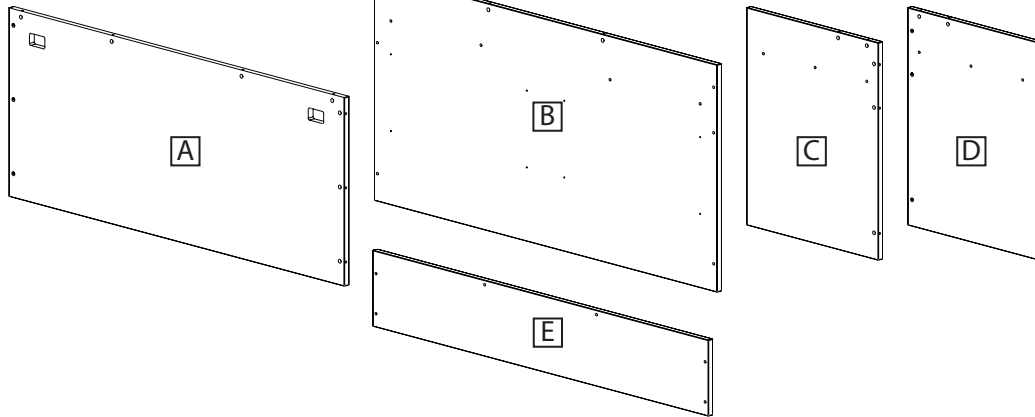
BELAIR

DESK ASSEMBLY IS STEP 1

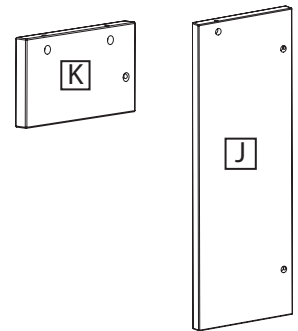
W-04DxxxxS
ASSEMBLY INSTRUCTIONS



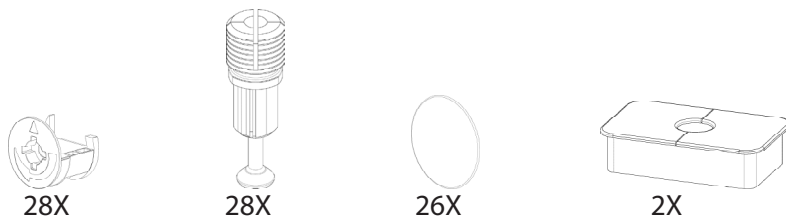
PARTS INCLUDED



IF DESK IS 84" + EXTRA
SUPPORT PIECES ARE
REQUIRED

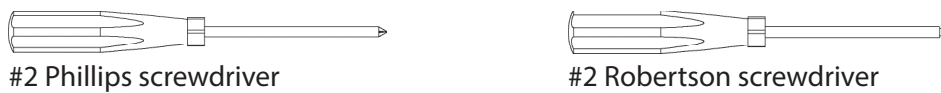


HARDWARE INCLUDED



Extra hardware may be included

TOOLS REQUIRED



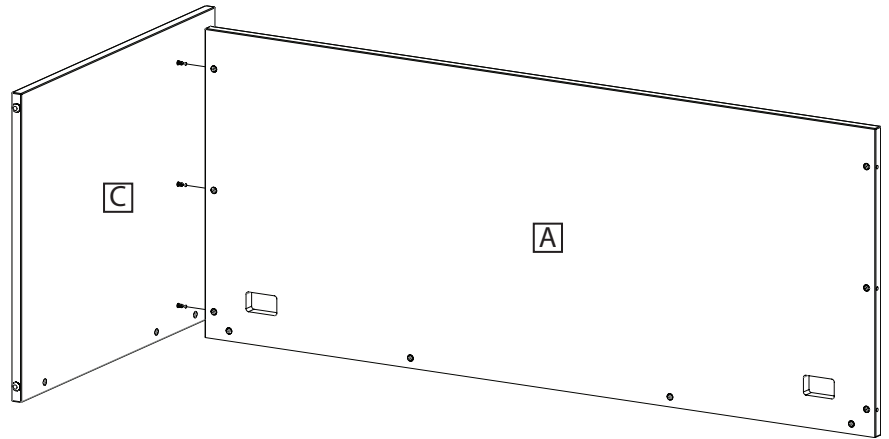
DISCLAIMER

- Two people are recommended for the assembly of this product.
- Use hardware provided and tools recommended to avoid any product faults.
- Always assemble product on a clean soft surface to avoid scratching.

STEP 1

Ensure all hardware are inserted into parts before assembling. Attach top **A** and left gable **C** as shown. Fasten pins and cams.

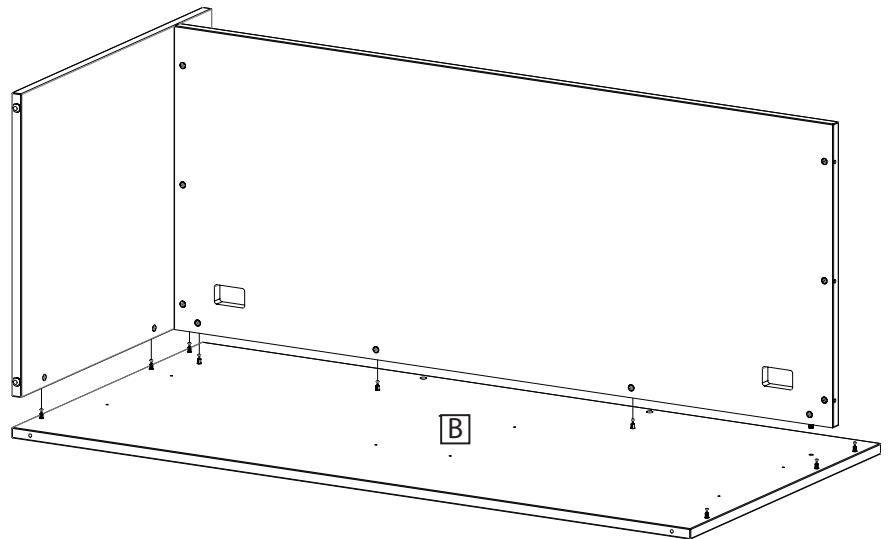
If desk is 84" + move to STEP 3.



STEP 2

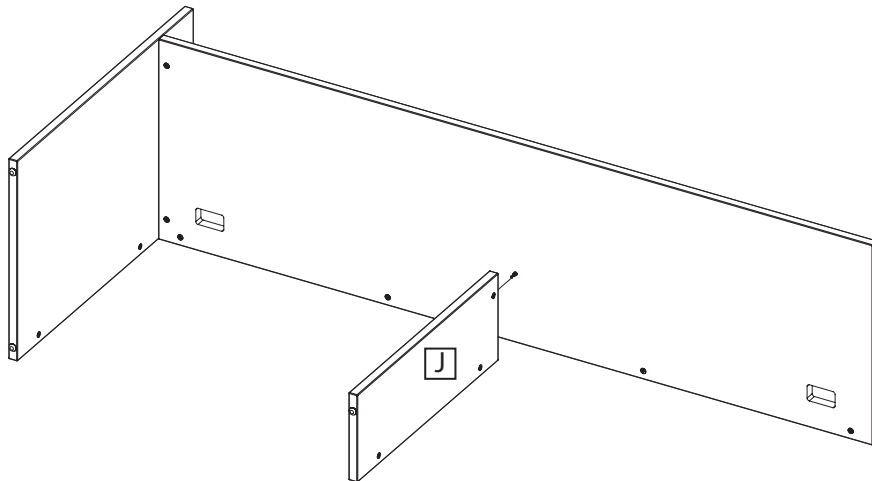
Lay back **B** flat and lower top and left gable onto back. Do not fasten pins and cams until next step.

Move to STEP 6.



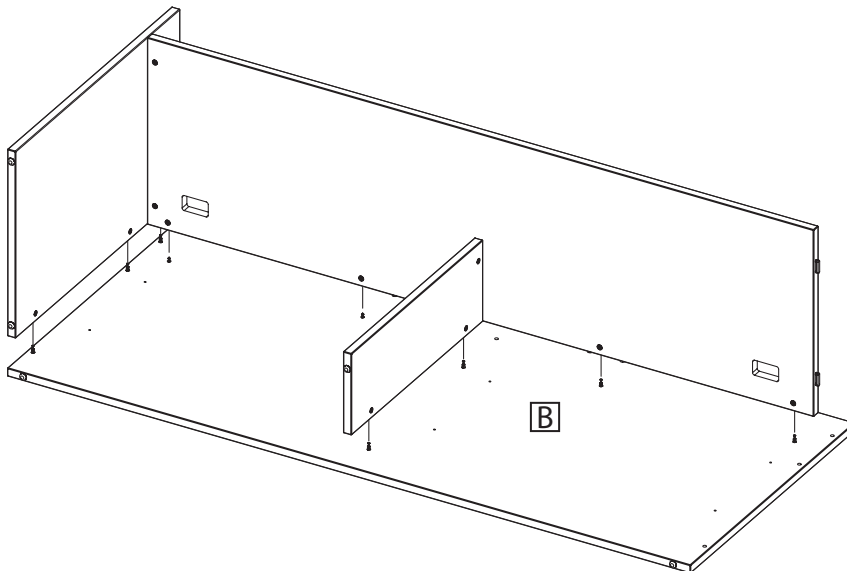
STEP 3

If desk is 84" + attach desk support gable **J**
Fasten all pins and cams.



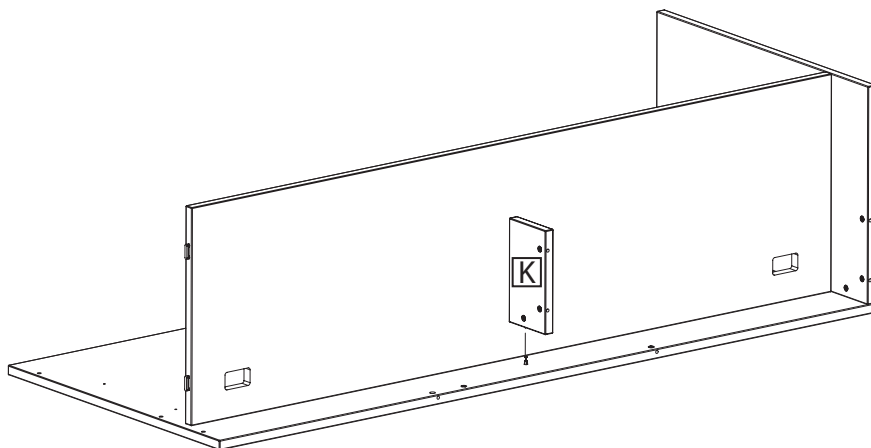
STEP 4

Lay desk back **D** flat and lower top and gables onto back as shown. Do not fasten pins and cams.



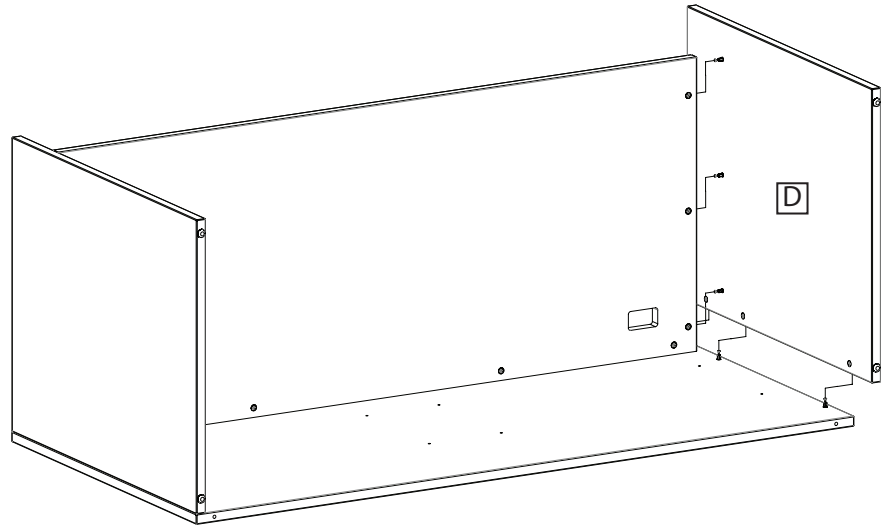
STEP 5

If desk is 84" + attach transaction ledge support gable **K** to desk back. Fasten pins and cams.



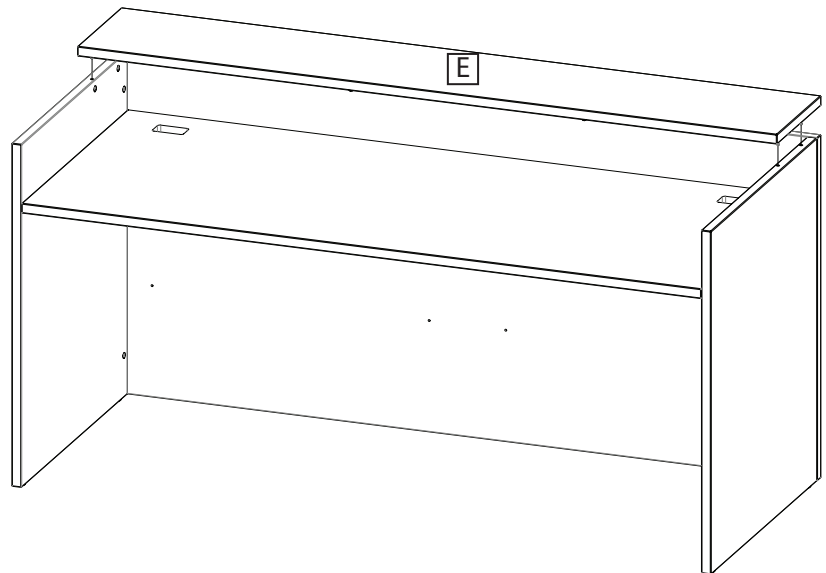
STEP 6

Attach right gable **D** as shown. Fasten all pins and cams. Flip unit right side up.



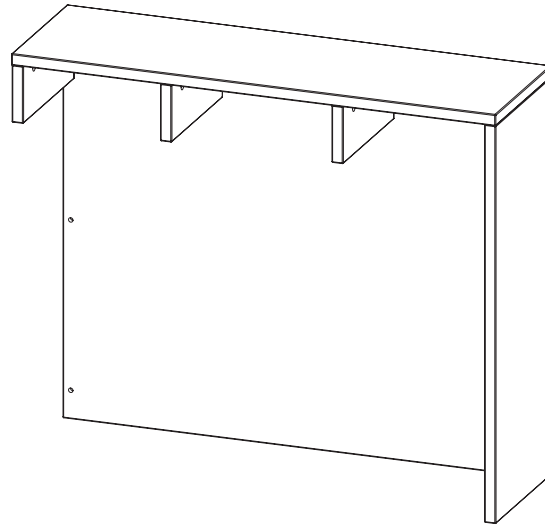
STEP 7

Attach transaction top **E** as shown. Fasten pins and cams.

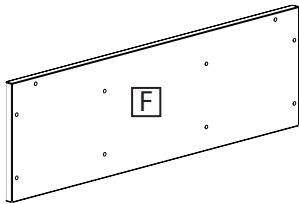


STEP 8

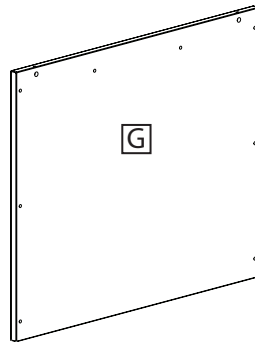
See W-04S - Waterfall instructions to finish off assembly.



PARTS INCLUDED



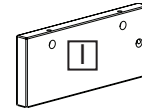
F



G



H

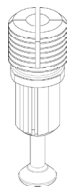


I

HARDWARE INCLUDED



19X



19X



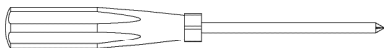
17X



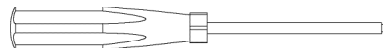
4X

Extra hardware may be included

TOOLS REQUIRED



#2 Phillips screwdriver



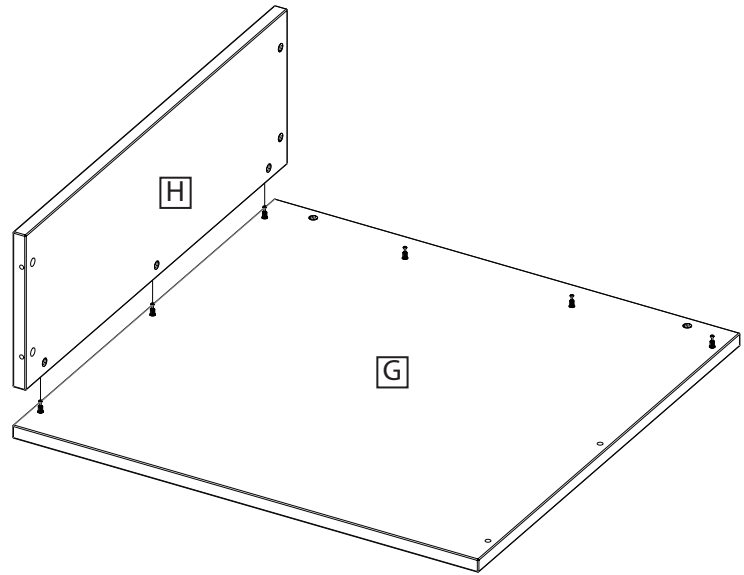
#2 Robertson screwdriver

DISCLAIMER

- Two people are recommended for the assembly of this product.
- Use hardware provided and tools recommended to avoid any product faults.
- Always assemble product on a clean soft surface to avoid scratching.

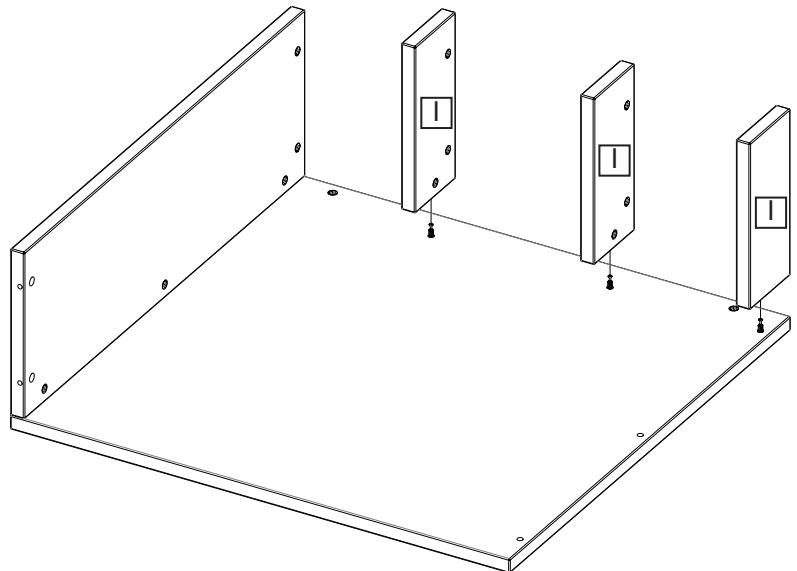
STEP 1

Lay waterfall back **G** flat and attach large waterfall end **H**. Fasten pins and cams. Depending on desired layout waterfall unit can be configured as a left or right unit. For a left waterfall follow diagram as shown.



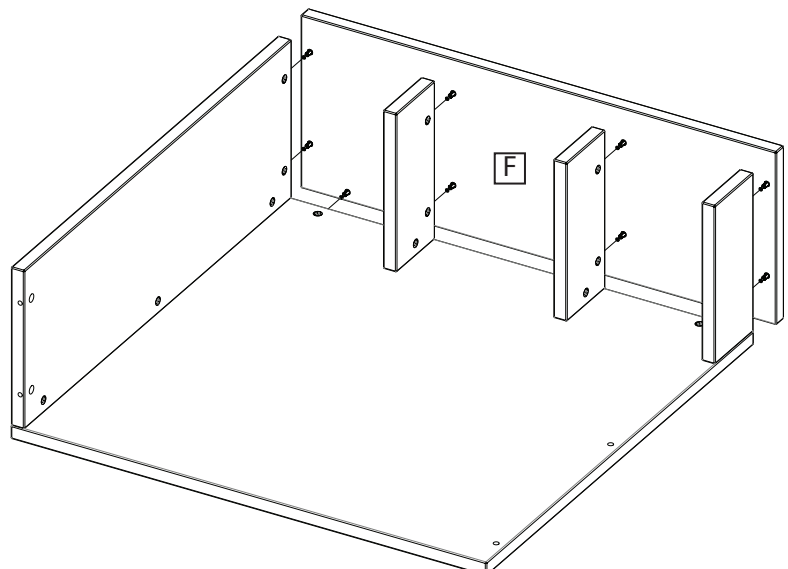
STEP 2

Attach small support **I** pieces as shown. Fasten pins and cams.



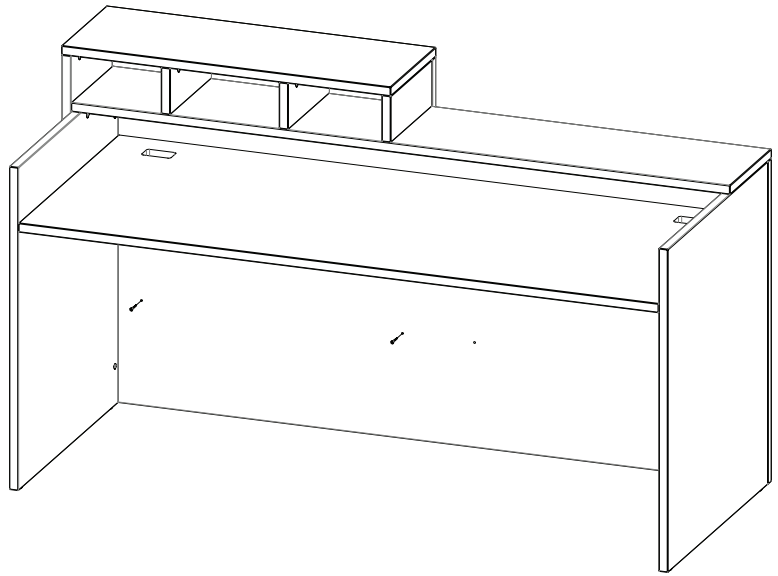
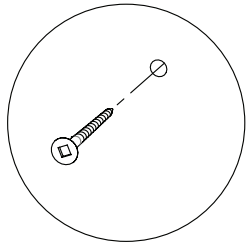
STEP 3

Attach waterfall top **F**. Fasten pins and cams.



STEP 4

Position waterfall on desk and secure through desk back with screws provided.



STEP 5

Insert grommet covers in desk top and use cover caps to cover any visible cams and screws.

