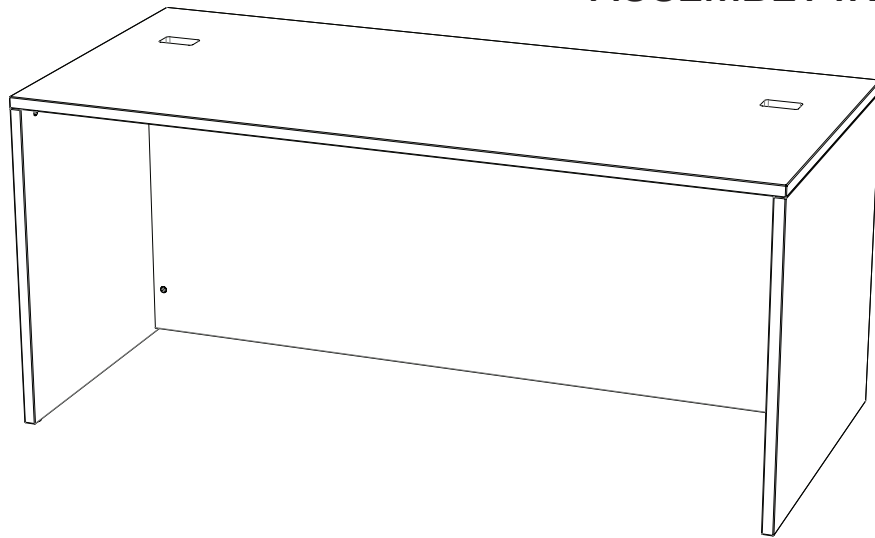
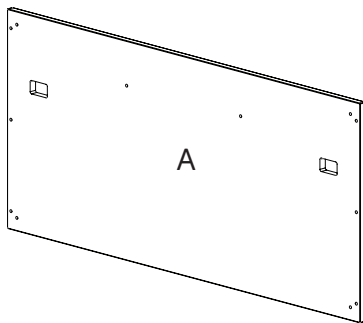


BELAIR

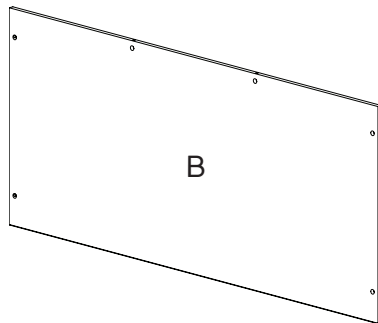
DESK SHELL ASSEMBLY INSTRUCTIONS



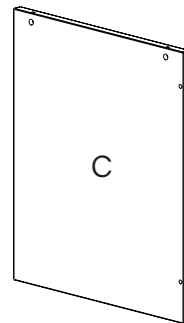
PARTS INCLUDED



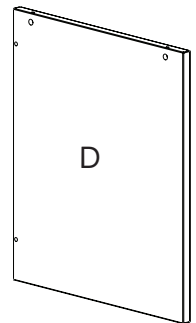
A



B



C

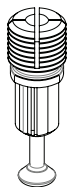


D

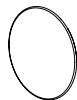
HARDWARE INCLUDED



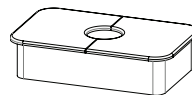
12X



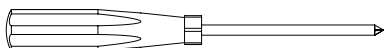
12X



12X



TOOLS REQUIRED



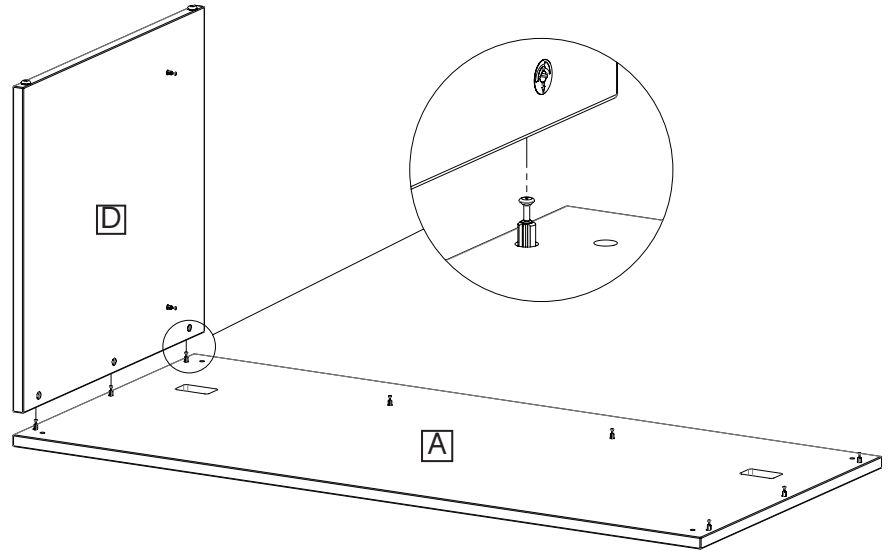
#2 Phillips screwdriver

DISCLAIMER

- Two people are recommended for the assembly of this product.
- Use hardware provided and tools recommended to avoid any product faults.
- Always assemble product on a clean soft surface to avoid scratching.

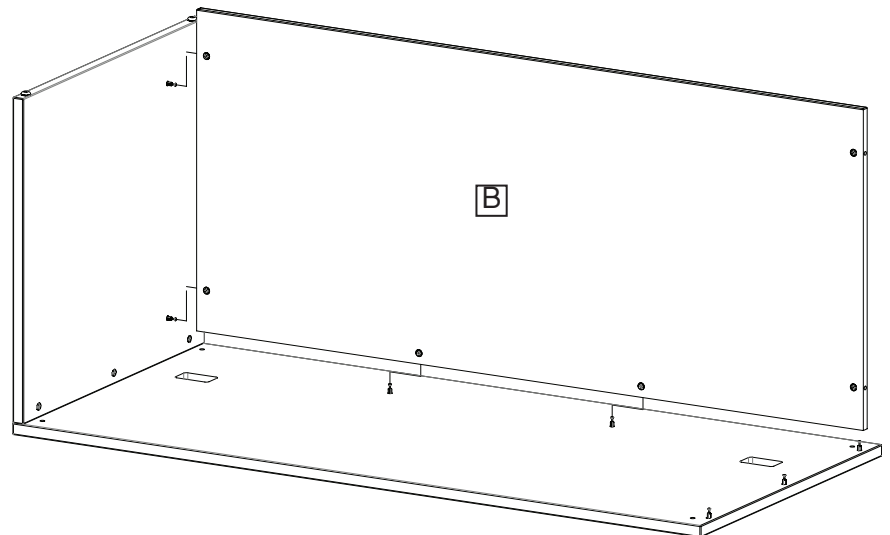
STEP 1

Lay top **A** upside down to start.
Connect gable **D** to top as shown.
Tighten all hardware except for cam
closest to back connection.



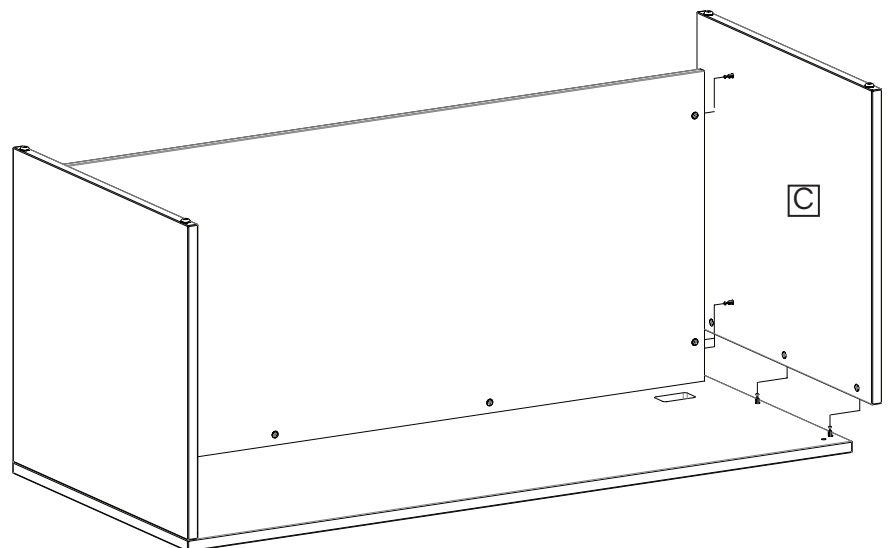
STEP 1

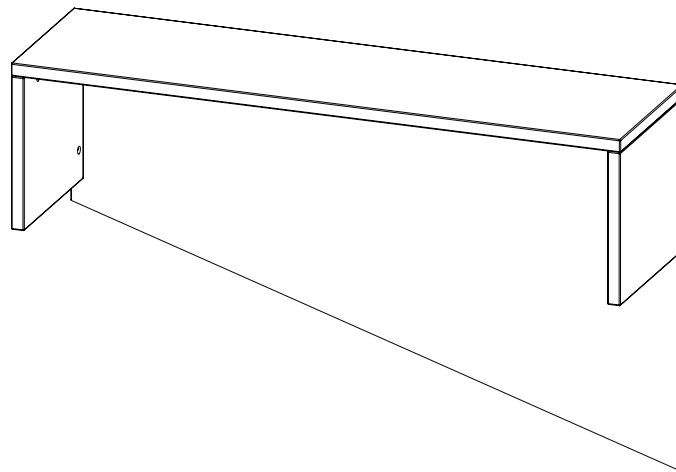
Attach back **B**. Fasten all pins and
cams connected to gable.



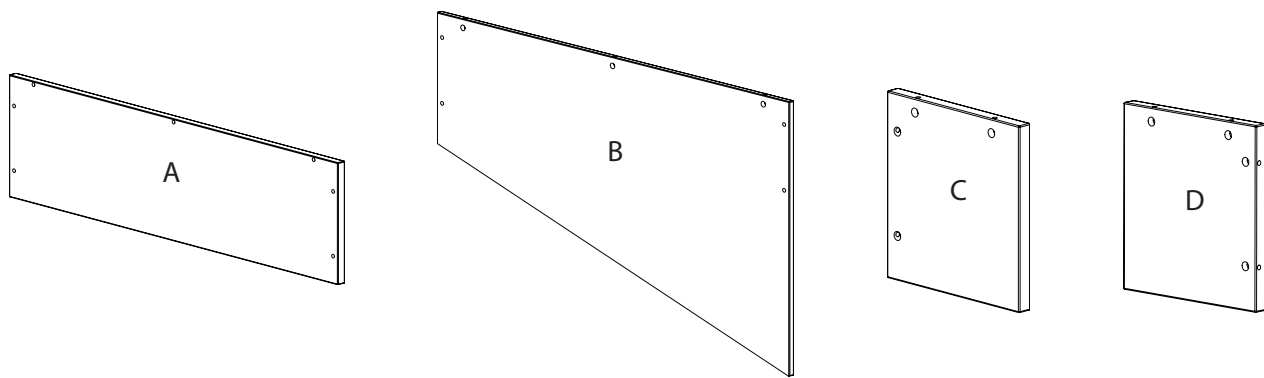
STEP 3

Attach second gable **C**. Ensure all
hardware are tighten before flipping
unit right side up. Cover any visible
cams with cover caps.

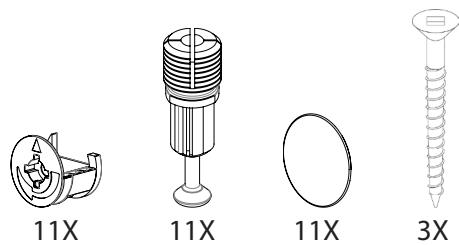




PARTS INCLUDED



HARDWARE INCLUDED



TOOLS REQUIRED

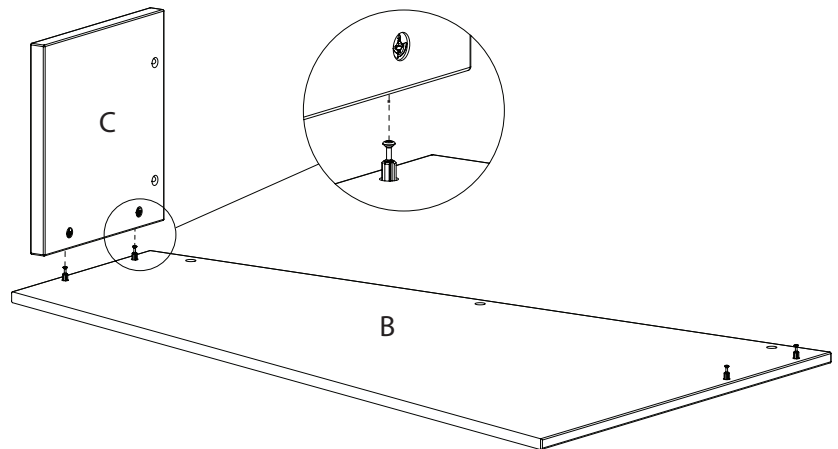


DISCLAIMER

- Two people are recommended for the assembly of this product.
- Use hardware provided and tools recommended to avoid any product faults.
- Always assemble product on a clean soft surface to avoid scratching.

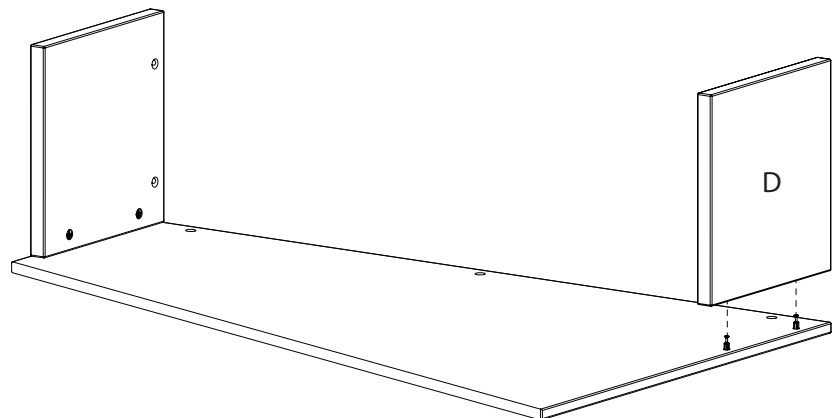
STEP 1

Lay back **B** upside down to start.
Connect end **C** to back as shown.
Tighten all hardware.



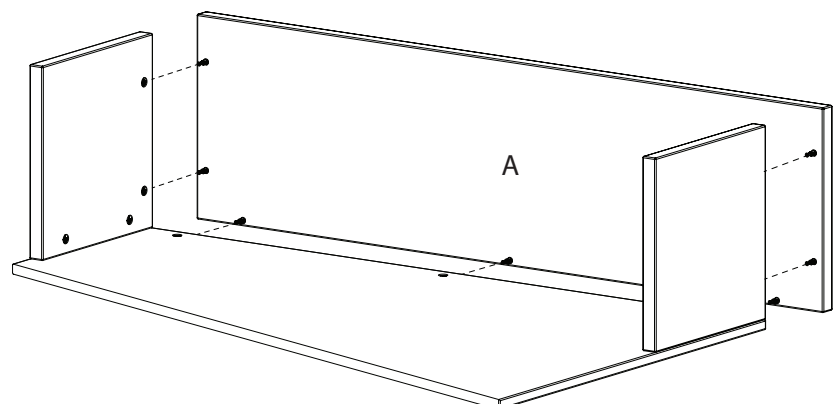
STEP 2

Connect end **D** to back as shown.
Tighten all hardware.



STEP 3

Connect top **A** to back and ends.
Ensure all hardware is tightened before
flipping unit right side up. Cover any
visible cams with cover caps.



STEP 4

Attach angled topper to desk using the appropriate length screws provided.

Taking into account the location of the angled back on the front of the desk, as the screw will be visible if placed in the wrong spot.

