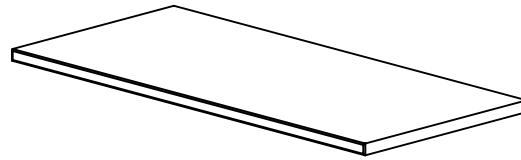
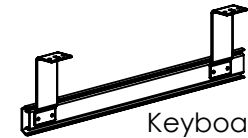
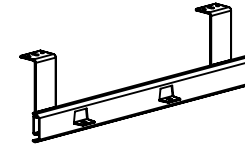


5/8" Screw
12 pcs.

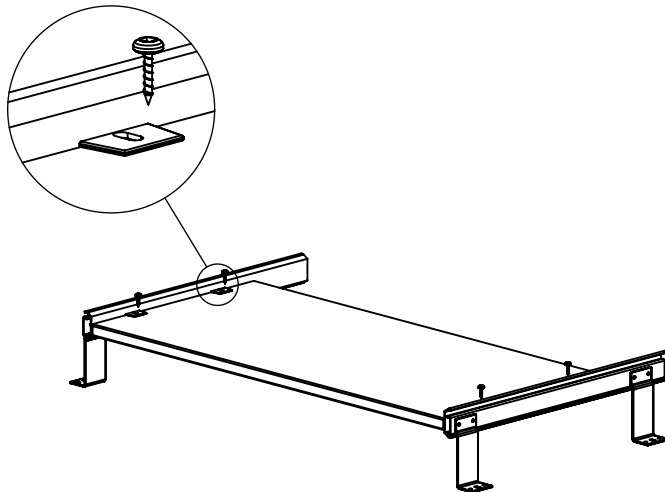


Keyboard Tray
1 pc.

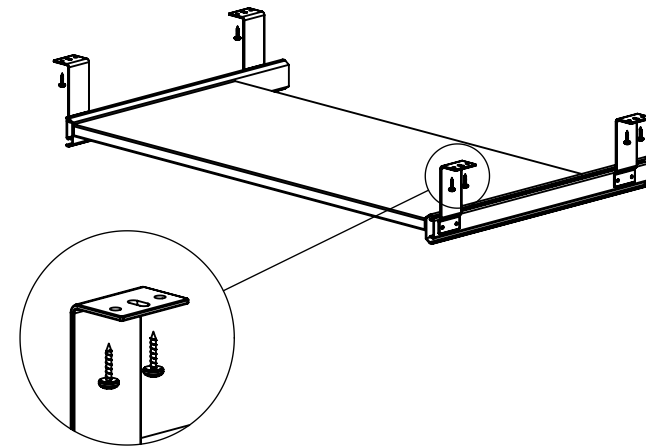


Keyboard Tracks
1 set

1. Place keyboard face down on a flat clean surface.
2. Extension slide has a rubber stopper on one end only. Position extension slide so that rubber stopper is aligned along one edge of keyboard tray.
3. Insert tapping screws through the slots in the extension slide tabs and screw into the keyboard. **Do NOT tighten completely.**
4. Press the extension slide firmly against the side of the keyboard and then tighten the tapping screws.
5. Repeat steps 1 to 4 for the other extension slide.



1. Determine the location of the keyboard to be installed.
2. Drilling pilot holes to conform to the pattern of the slots will make your installation much easier.
3. Attach the keyboard by holding it up to the bottom surface of the table or desk and inserting the tapping screws through the holes in the angle brackets into the pilot holes. Do not tighten the screws completely until all 4 are in position and well started in their respective holes.



NOTE: At least 8 screws (2 per bracket) are recommended for secure installation.