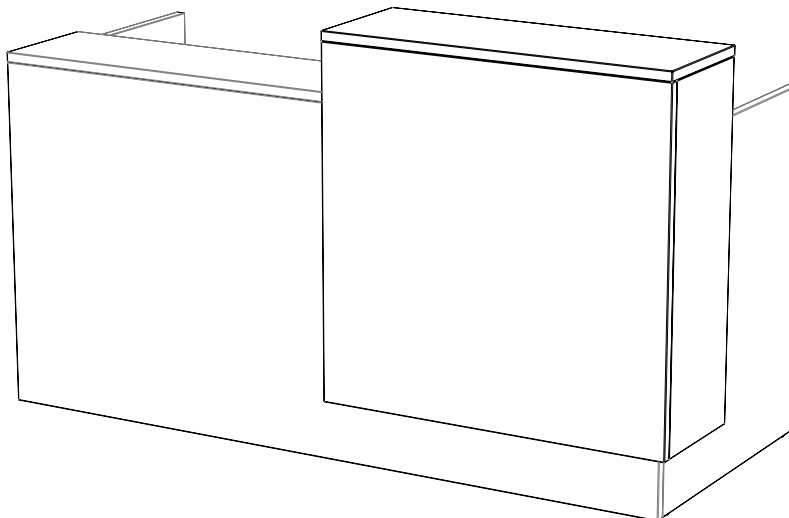
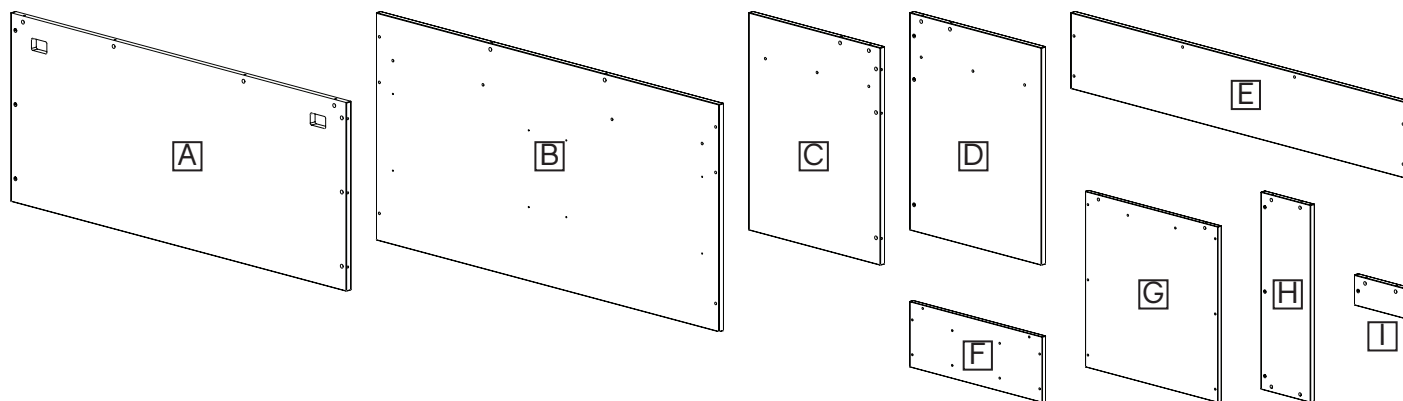


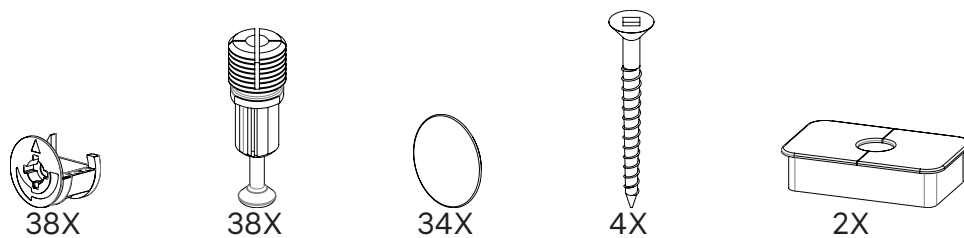
ASSEMBLY INSTRUCTIONS



PARTS INCLUDED



HARDWARE INCLUDED



TOOLS REQUIRED

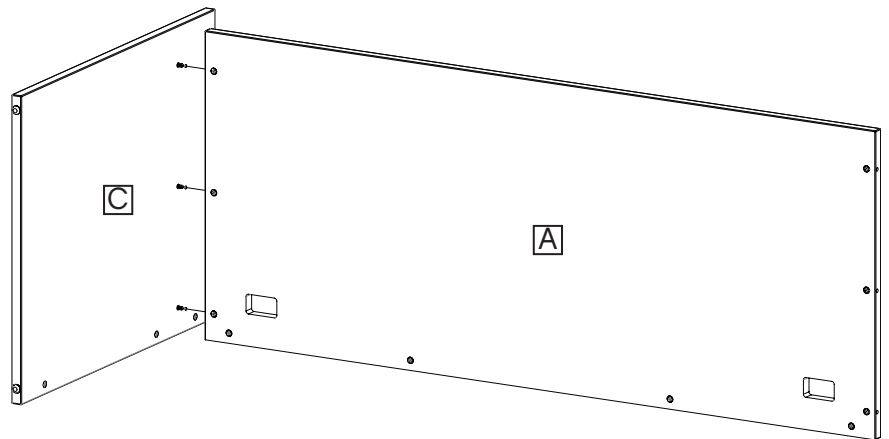


DISCLAIMER

- Two people are recommended for the assembly of this product.
- Use hardware provided and tools recommended to avoid any product faults.
- Always assemble product on a clean soft surface to avoid scratching.

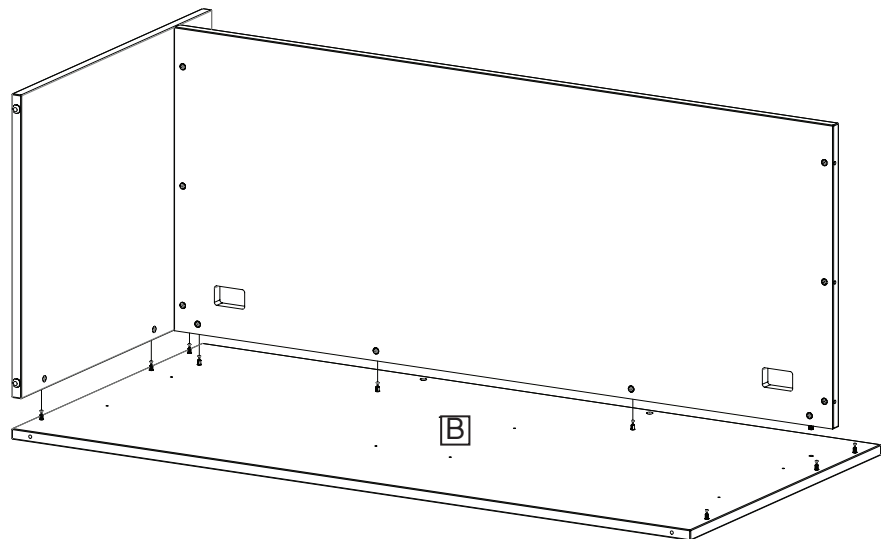
STEP 1

Ensure all hardware are inserted into parts before assembling. Attach top **A** and left gable **C** as shown. Fasten pins and cams.



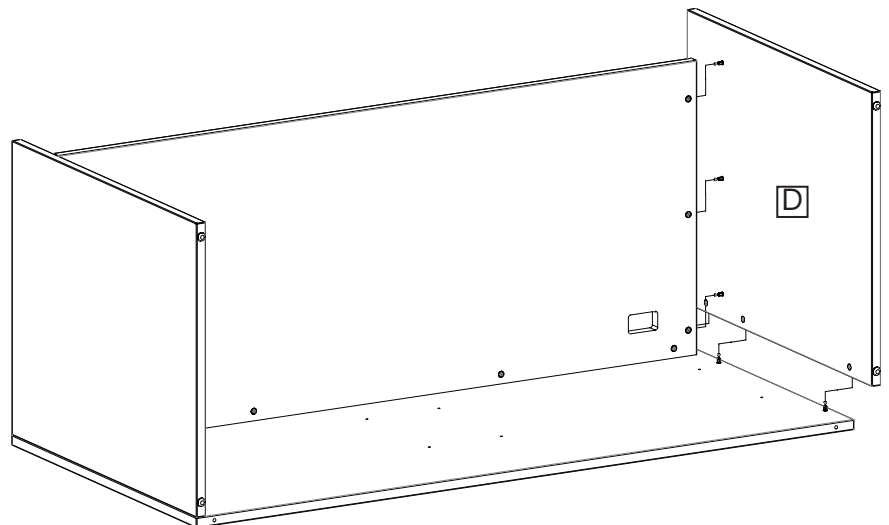
STEP 2

Lay back **B** flat and lower top and left gable onto back. Do not fasten pins and cams until next step.



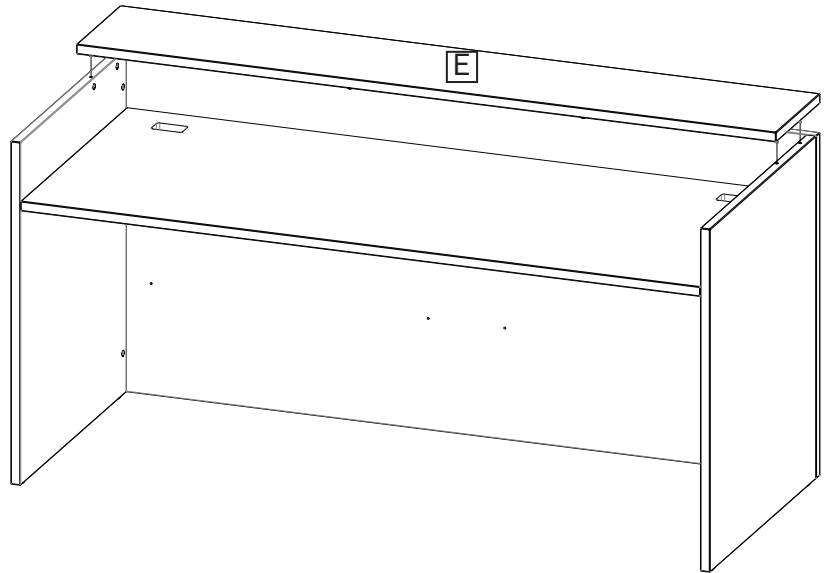
STEP 3

Attach right gable **D** as shown. Fasten all pins and cams. Flip unit right side up.



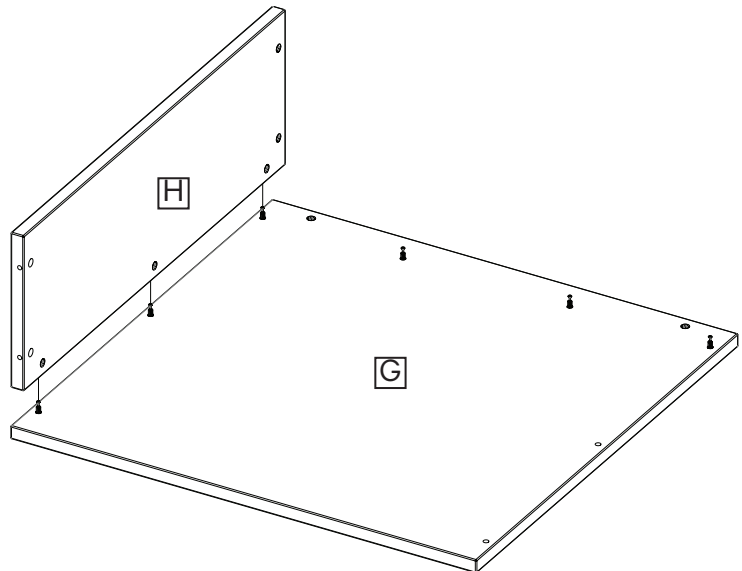
STEP 4

Attach transaction top **E** as shown. Fasten pins and cams.



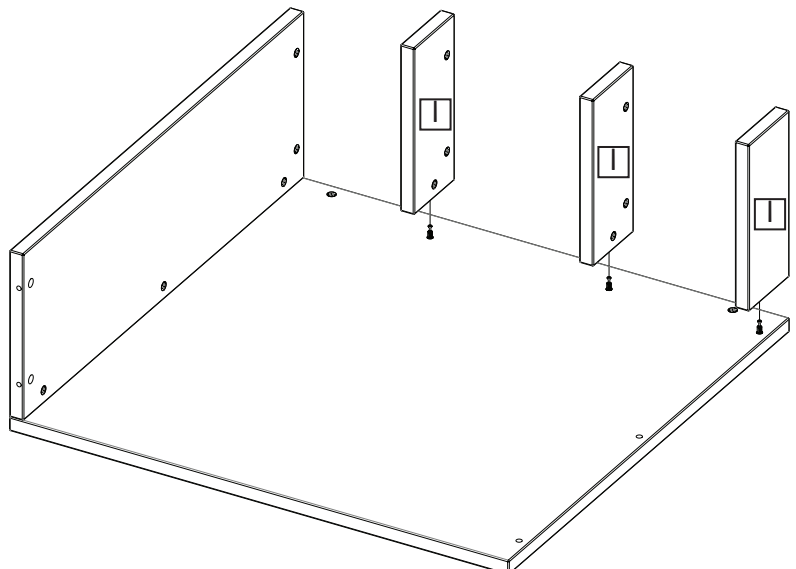
STEP 5

Lay waterfall back **G** flat and attach large waterfall end **H**. Fasten pins and cams. Depending on desired layout waterfall unit can be configured as a left or right unit. For a left waterfall follow diagram as shown.



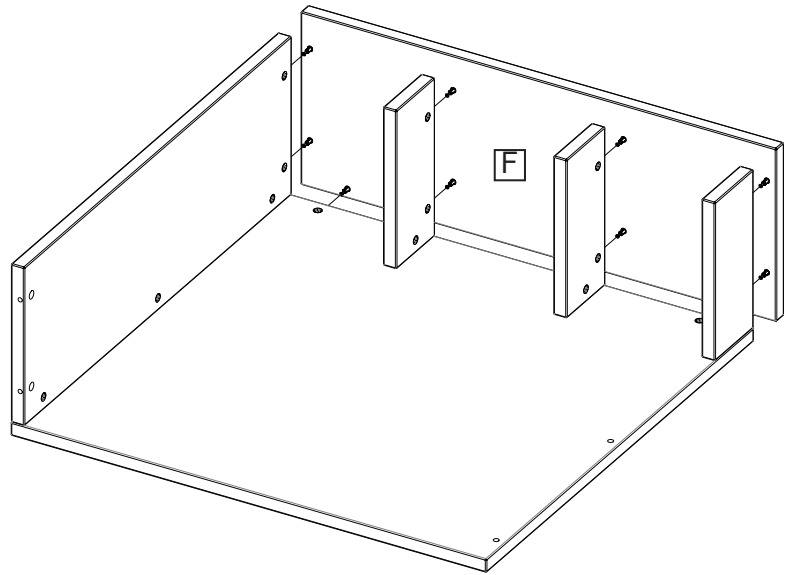
STEP 6

Attach small support **I** pieces as shown. Fasten pins and cams.



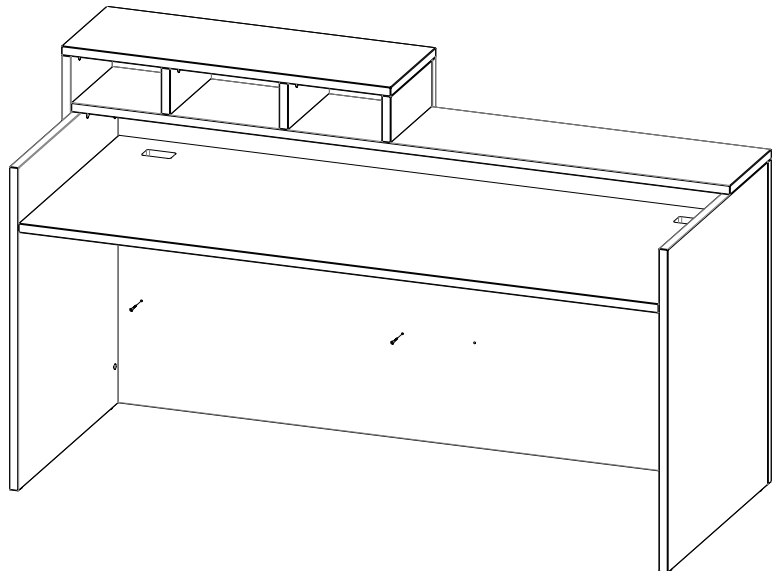
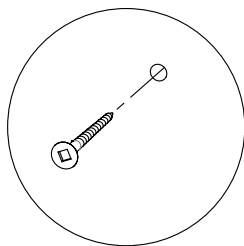
STEP 7

Attach waterfall top **F**. Fasten pins and cams.



STEP 8

Position waterfall on desk and secure through desk back with screws provided.



STEP

Insert grommet covers in desk top and use cover caps to cover any visible cams and screws.

