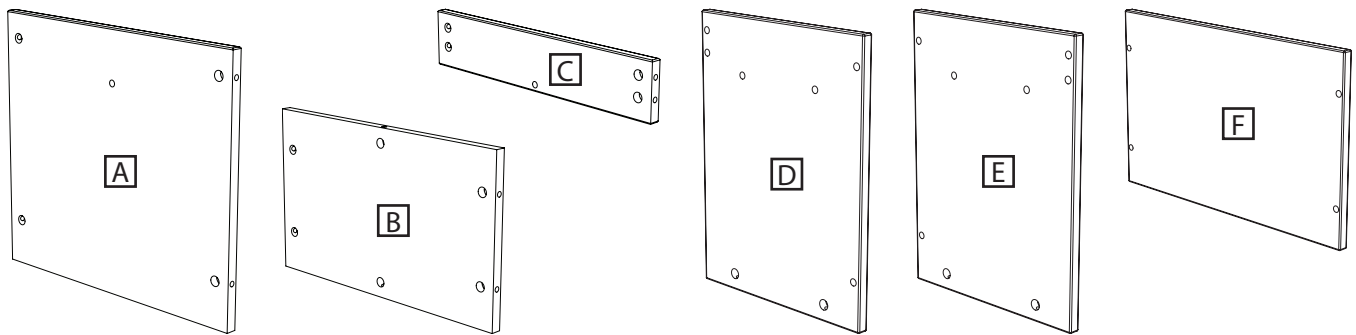
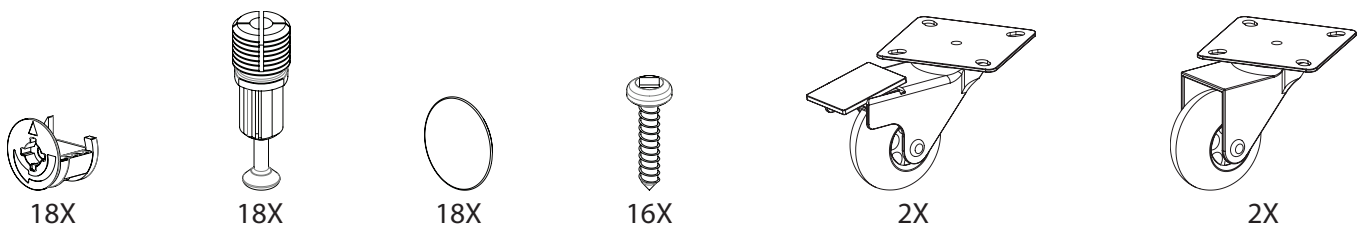




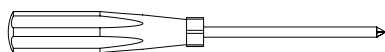
### PARTS INCLUDED



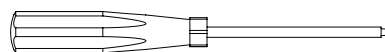
### HARDWARE INCLUDED



### TOOLS REQUIRED



#2 Phillips screwdriver



#2 Robertson screwdriver

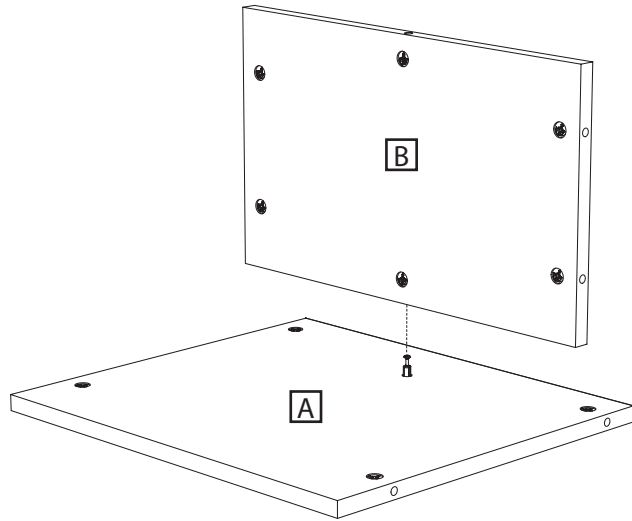
### DISCLAIMER

- Two people are recommended for the assembly of this product.
- Use hardware provided and tools recommended to avoid any product faults.
- Always assemble product on a clean soft surface to avoid scratching.

### STEP 1

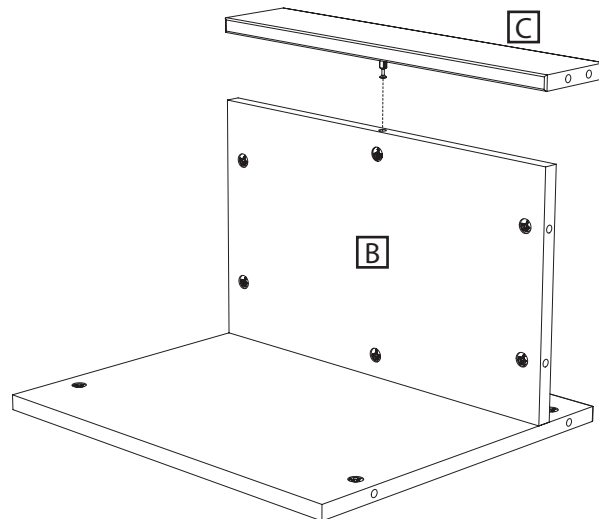
Lay back **A** flat to start. Attach fixed shelf **B** as shown. Tighten all applicable hardware.

Note: Second person should stabilize fixed shelf **B** until step 3 is completed.



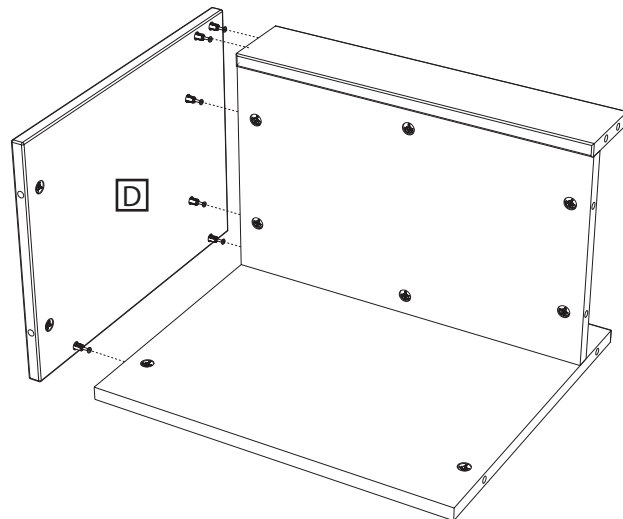
### STEP 2

Attach small back **C** to fixed shelf **B**. Tighten all applicable hardware.



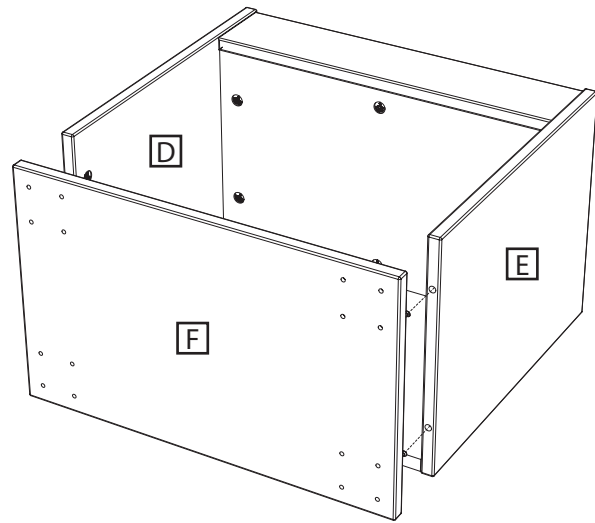
### STEP 3

Attach left gable **D**. Fasten all pins and cams connected to gable. Repeat with right gable **E**.



### STEP 4

Attach bottom **F** as shown. Tighten all cams and pins.



### STEP 5

Attach casters to unit with screws as shown, using pilot holes for placement. Locking casters go towards the front of the unit. Flip unit upright and cover any visible cams with cover caps.

