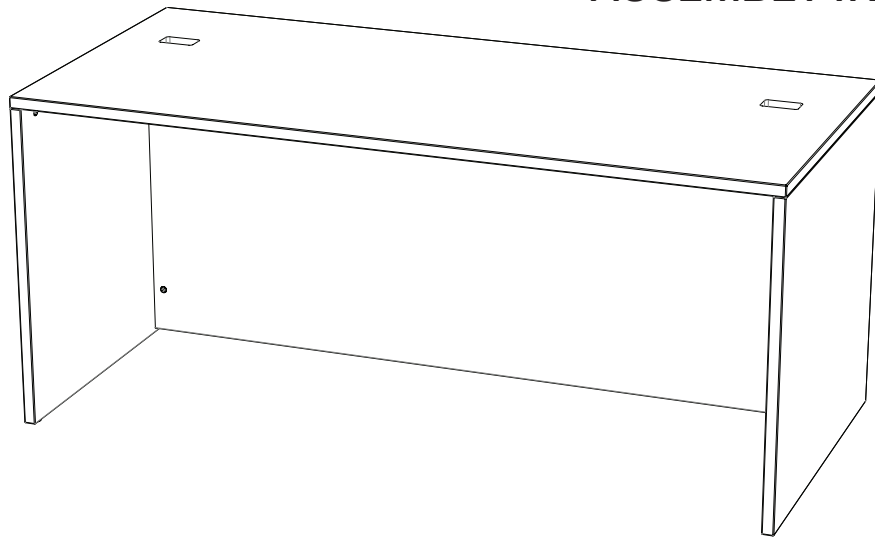
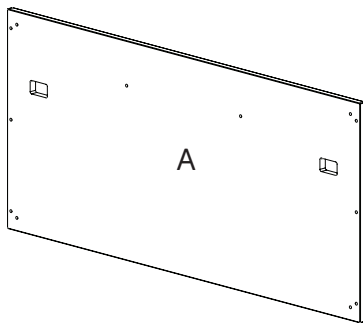


BELAIR

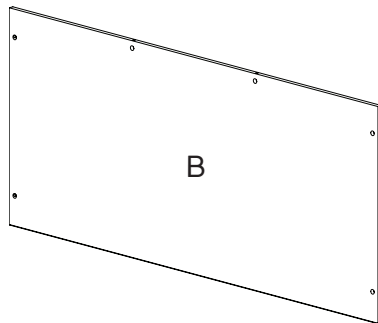
DESK SHELL ASSEMBLY INSTRUCTIONS



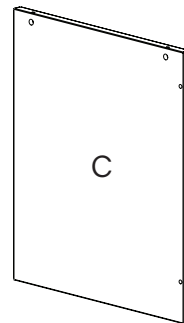
PARTS INCLUDED



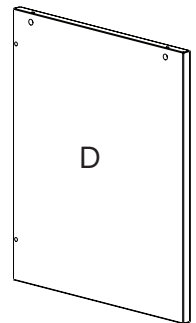
A



B



C

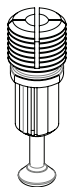


D

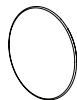
HARDWARE INCLUDED



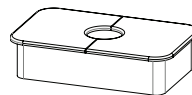
12X



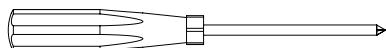
12X



12X



TOOLS REQUIRED



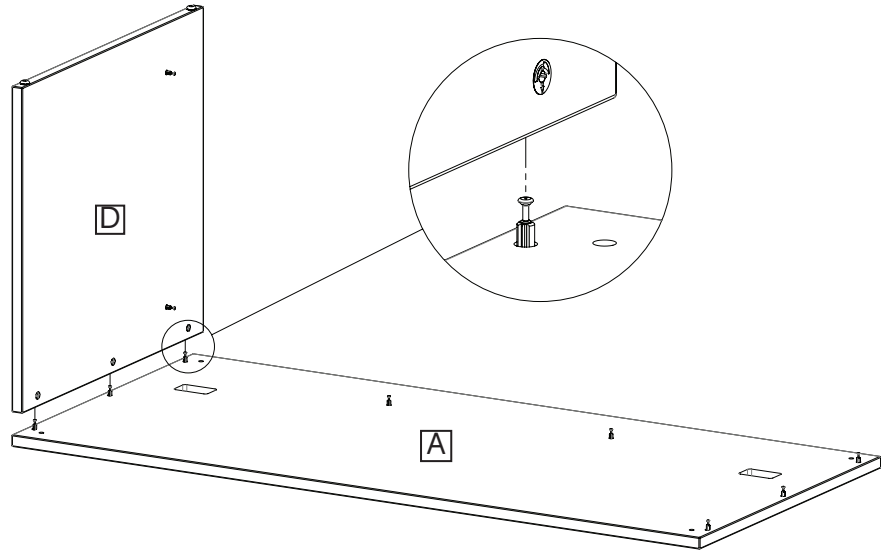
#2 Phillips screwdriver

DISCLAIMER

- Two people are recommended for the assembly of this product.
- Use hardware provided and tools recommended to avoid any product faults.
- Always assemble product on a clean soft surface to avoid scratching.

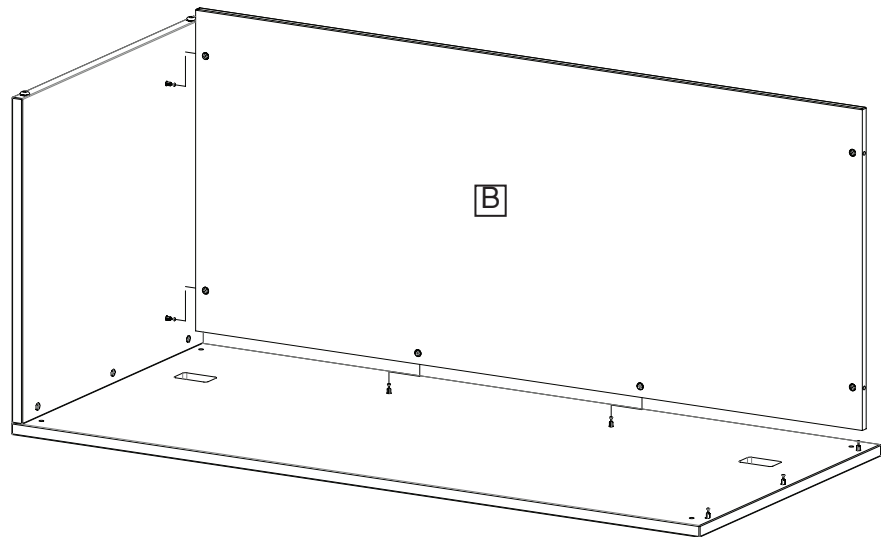
STEP 1

Lay top **A** upside down to start.
Connect gable **D** to top as shown.
Tighten all hardware except for cam
closest to back connection.



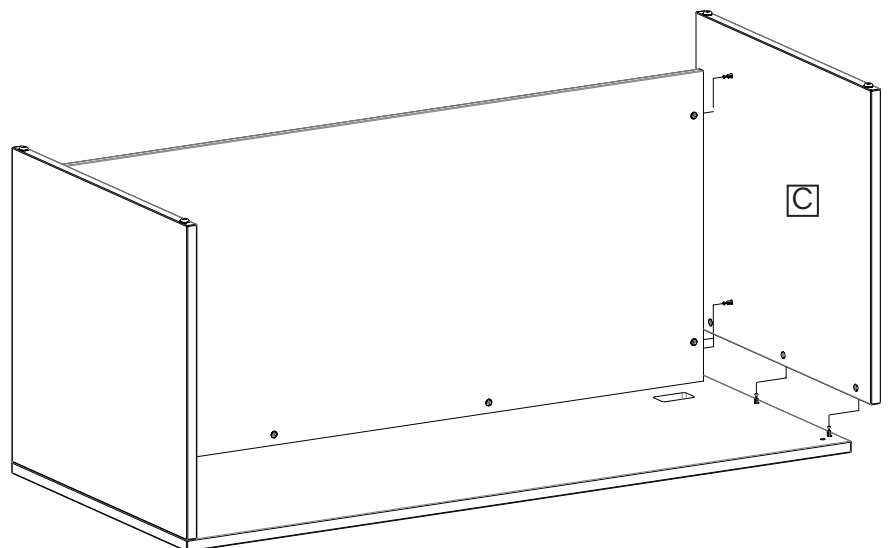
STEP 1

Attach back **B**. Fasten all pins and
cams connected to gable.



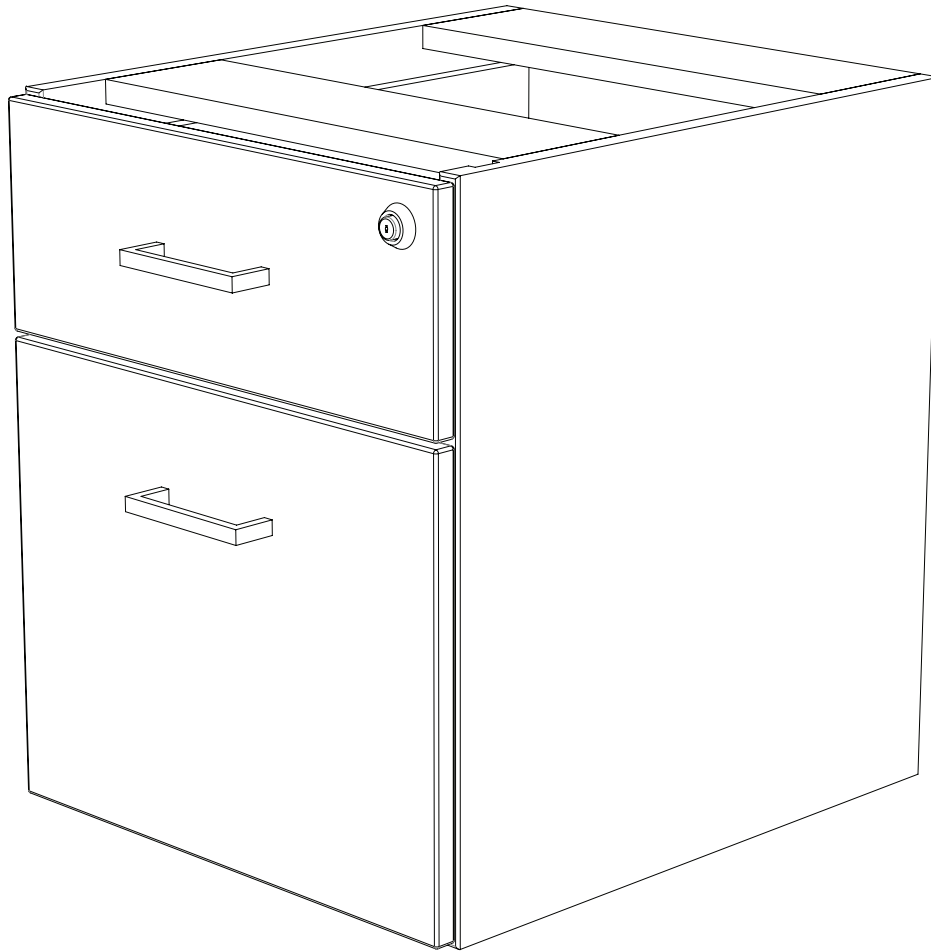
STEP 3

Attach second gable **C**. Ensure all
hardware are tighten before flipping
unit right side up. Cover any visible
cams with cover caps.

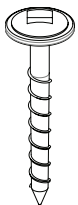


BELAIR

HANGING PEDESTAL ASSEMBLY INSTRUCTIONS

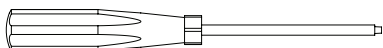


HARDWARE INCLUDED



8X

TOOLS REQUIRED



#2 Robertson screwdriver

DISCLAIMER

- Two people are recommended for the assembly of this product.
- Use hardware provided and tools recommended to avoid any product faults.
- Always assemble product on a clean soft surface to avoid scratching.

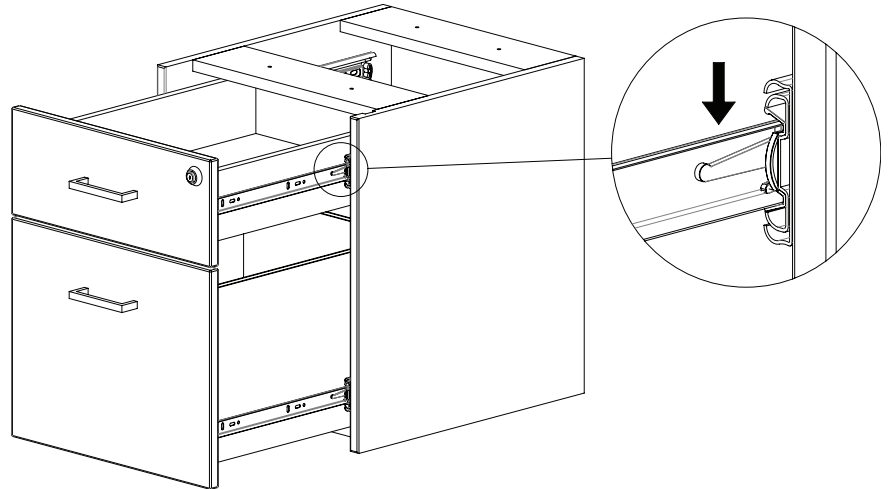
BELAIR

HANGING PEDESTAL

STEP 1

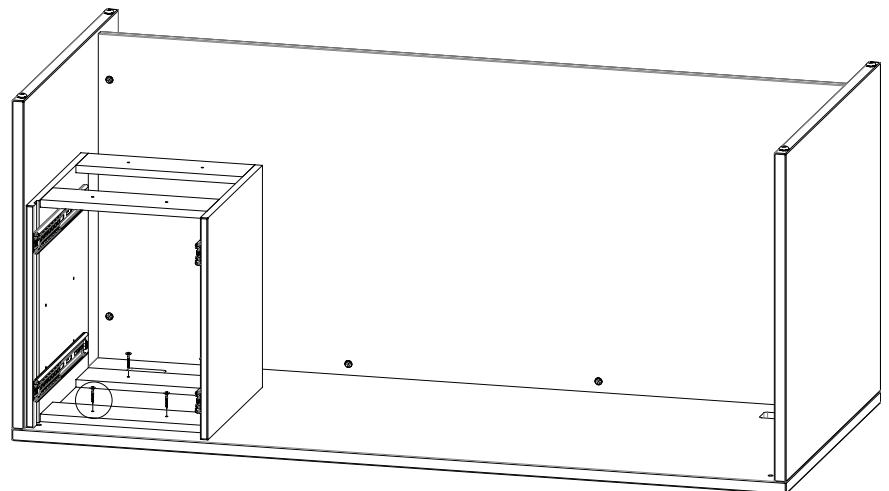
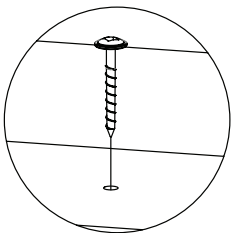
Remove drawers from pedestal shell. To do so the black catches on the drawer tracks need to be released in order to pull the drawers out. Pull drawers out as far as possible. Pull the left track catch up and press the right track catch down. Pull drawers out.

* Note - drawer handles are installed inside out for shipping. *



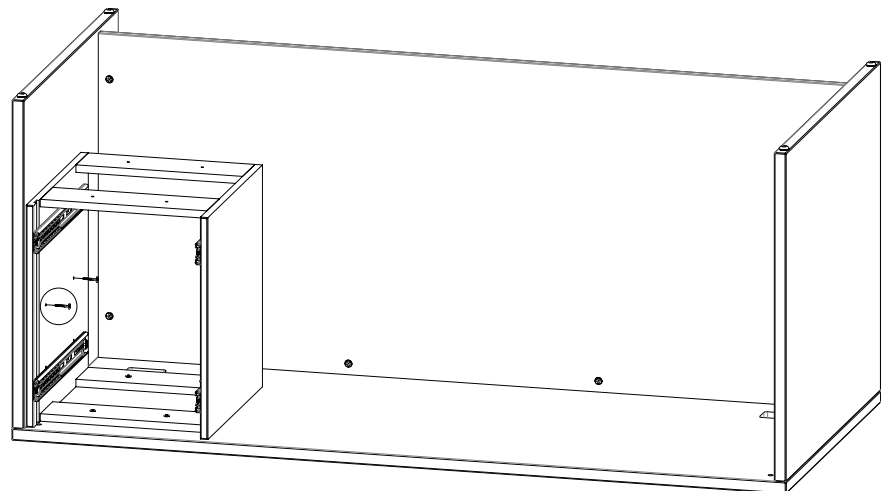
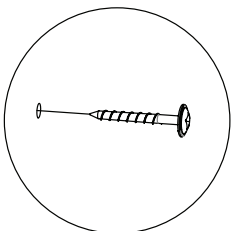
STEP 2

For ease of assembly lay desk upside down. Position pedestal shell approximately 18mm from the front edge of the desk to leave room for drawer front. Screw the pedestal down to the top as shown.



STEP 3

Screw pedestal into side of desk as shown. Lift desk right side up.



BELAIR

HANGING PEDESTAL

STEP 4

Ensure ball bearings on tracks are towards the front. Slide drawers back onto tracks.

