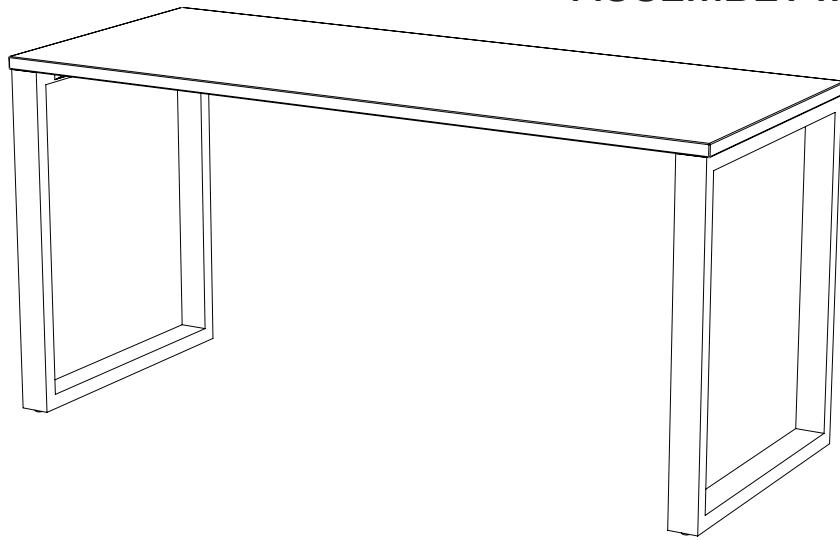
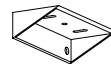
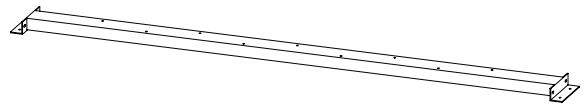
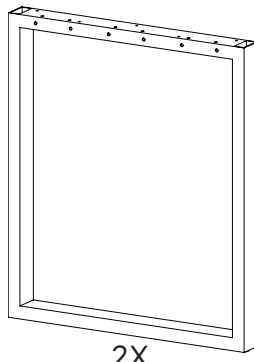
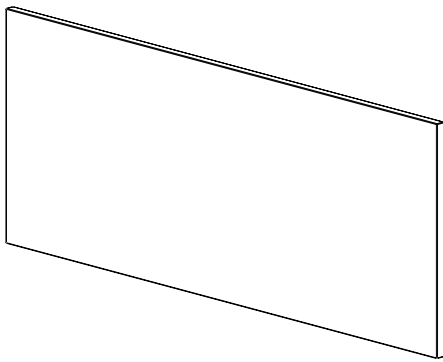


# BELAIR

## O-LEG DESK ASSEMBLY INSTRUCTIONS

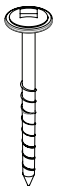


### PARTS INCLUDED



4X

### HARDWARE INCLUDED



27X

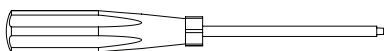


12X

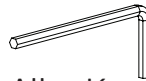


16X

### TOOLS REQUIRED



#2 Robertson Screwdriver



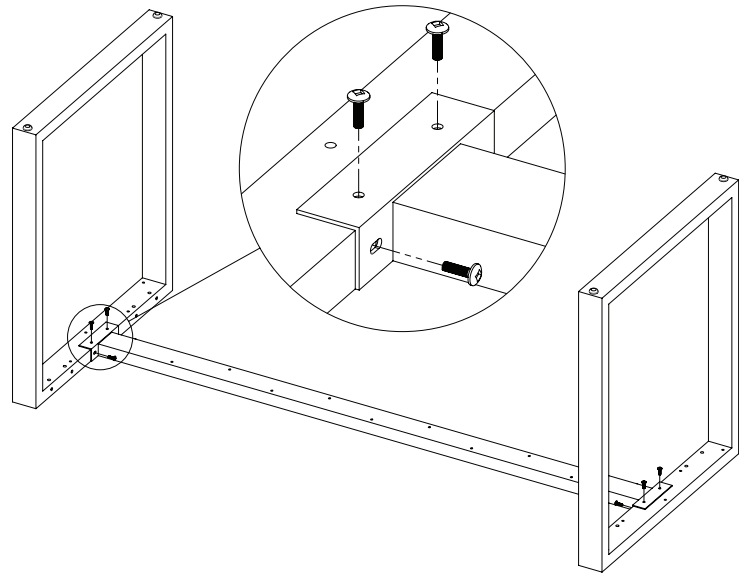
Allen Key

### DISCLAIMER

- Two people are recommended for the assembly of this product.
- Use hardware provided and tools recommended to avoid any product faults.
- Always assemble product on a clean soft surface to avoid scratching.

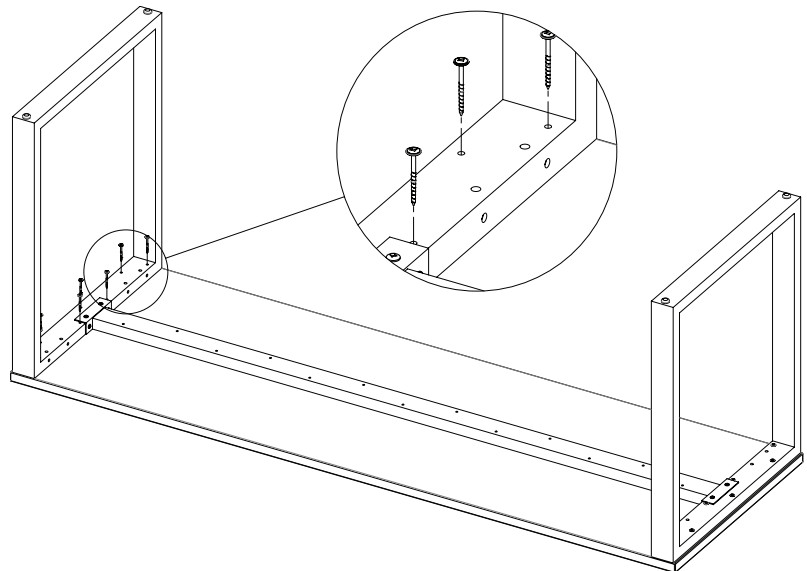
### STEP 1

Assemble O-legs and stiffener as shown with allen key provided. Loosely thread the bolts. This is important for later steps. Stiffener can be placed centered or off-centered to O-legs depending on desired layout.



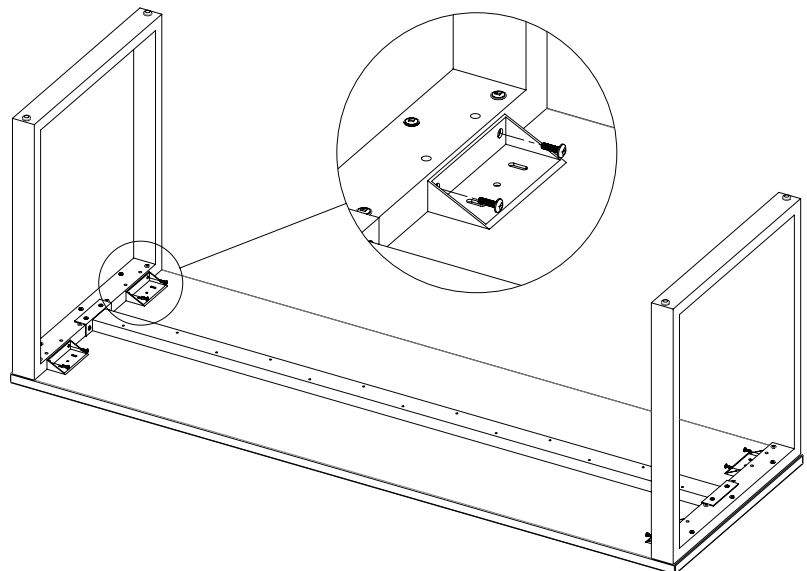
### STEP 2

Lay desk top flat and center O-leg base onto top. Screw down one leg first ensuring that it is squared to the top. Then screw down the opposite leg ensuring that it is also squared to the top. The loosely bolted stiffener should allow room for the legs to be squared when being screwed down.



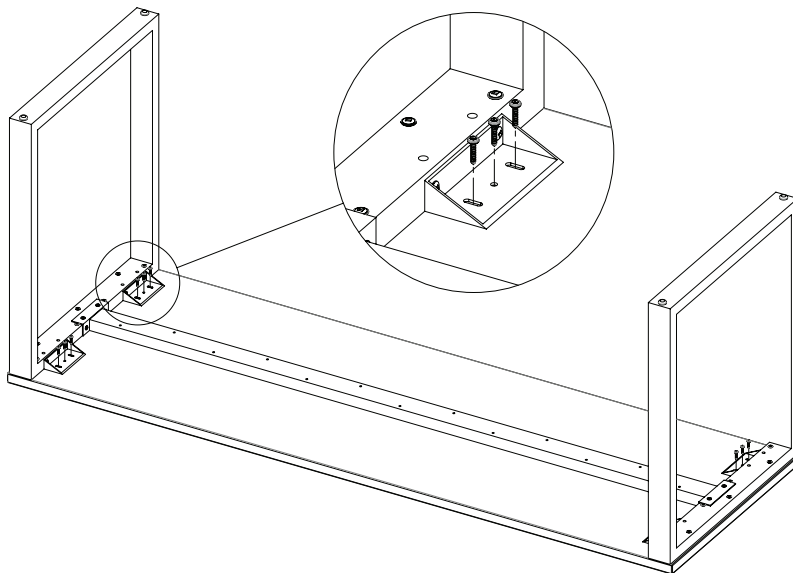
### STEP 3

Connect triangle brackets to O-legs as shown with small bolts and allen key provided. Brackets and stiffener can be interchangeable depending on layout.



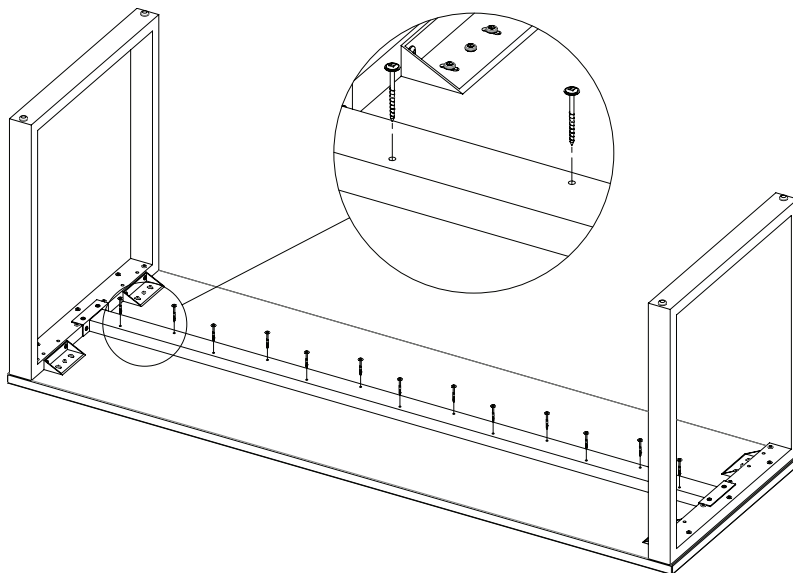
### STEP 4

Next use small screws provided to screw the triangle brackets into the top.



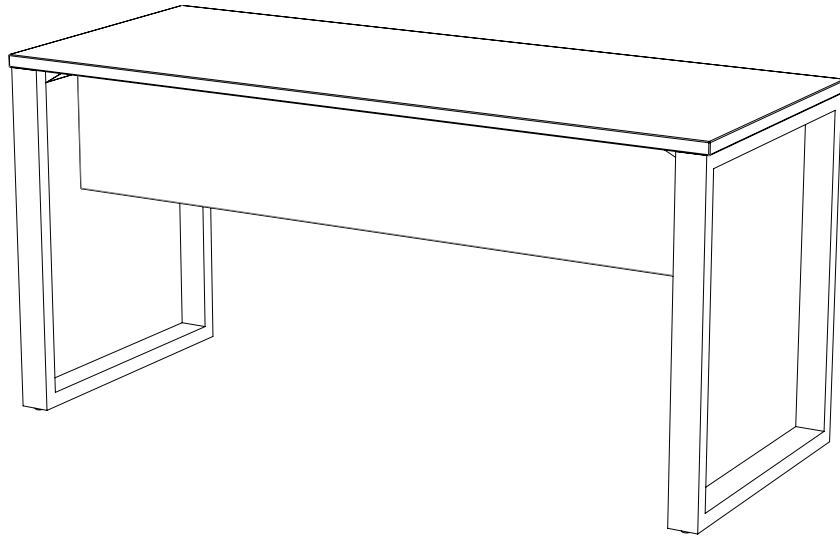
### STEP 5

Once the legs and triangle brackets are secured the bolts connecting the stiffener to the O-legs can now be tightened. Secure the stiffener to the top with the remaining screws.

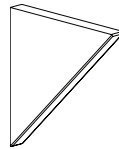
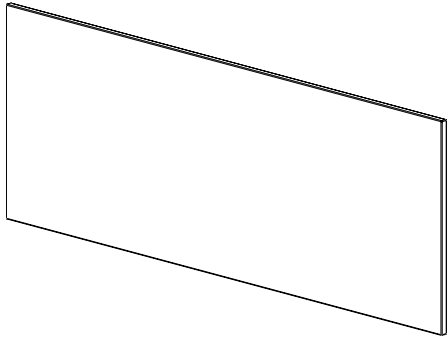


# BELAIR

## O-LEG DESK MODESTY ASSEMBLY INSTRUCTIONS



### PARTS INCLUDED

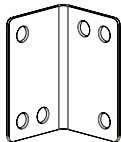


2X

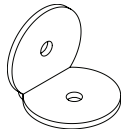
### HARDWARE INCLUDED



36X

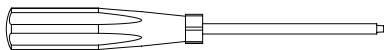


7X



4X

### TOOLS REQUIRED



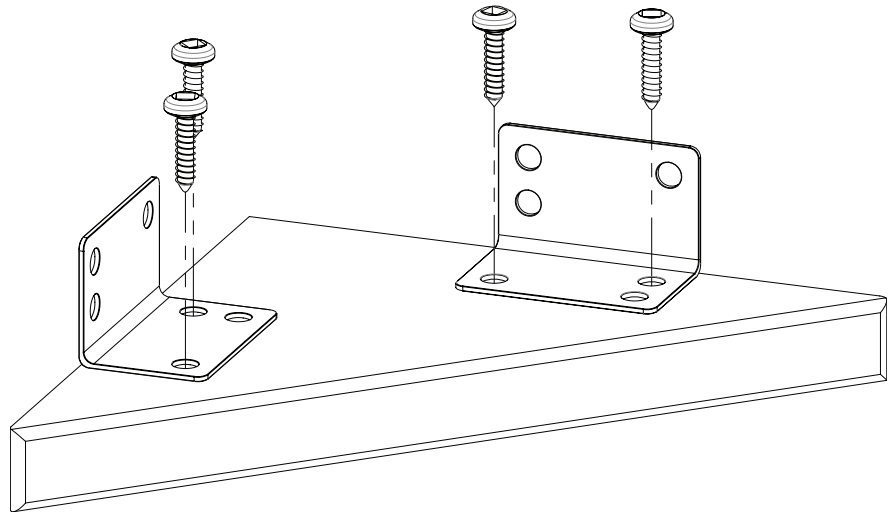
#2 Robertson

### DISCLAIMER

- Two people are recommended for the assembly of this product.
- Use hardware provided and tools recommended to avoid any product faults.
- Always assemble product on a clean soft surface to avoid scratching.

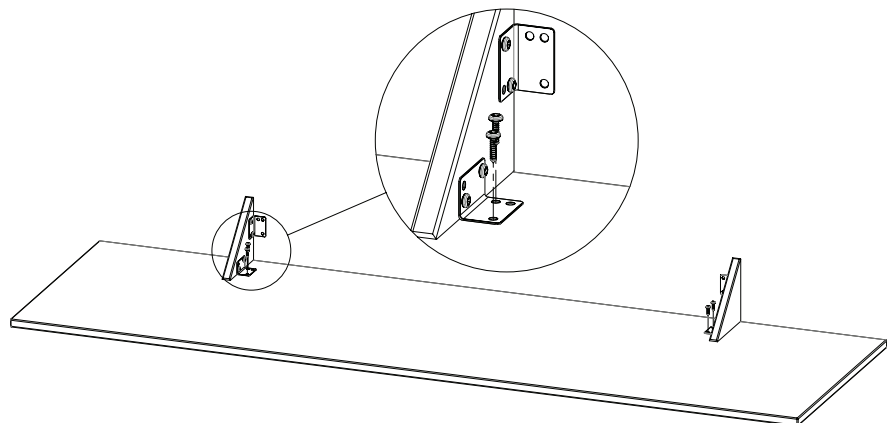
### STEP 1

Attach brackets to triangles as shown.



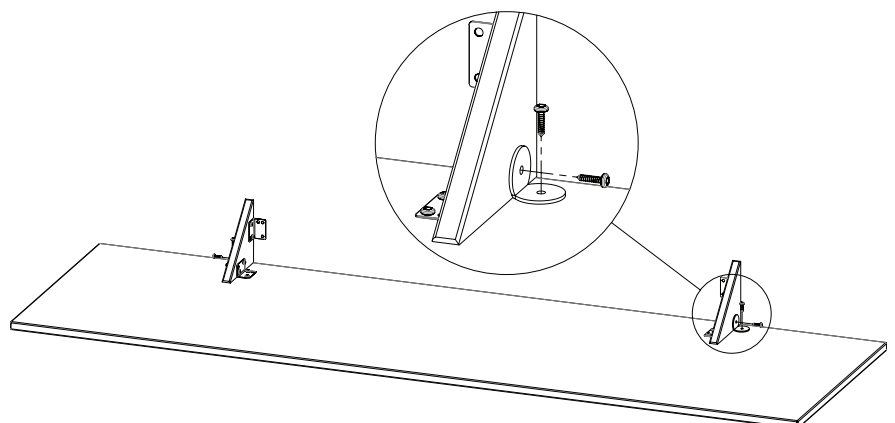
### STEP 2

Attach triangles to modesty as shown with L brackets facing towards center. Ensure triangles are flushed with the top of the modesty to prevent a gap between the modesty and the desk top once installed.



### STEP 3

Attach circular L bracket to outside of triangles as shown.

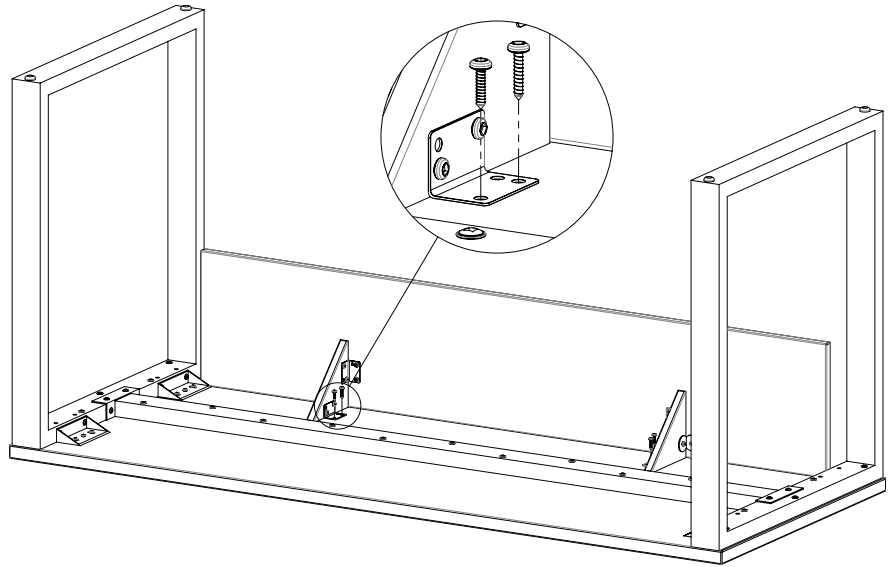


# BELAIR

## O-LEG DESK MODESTY

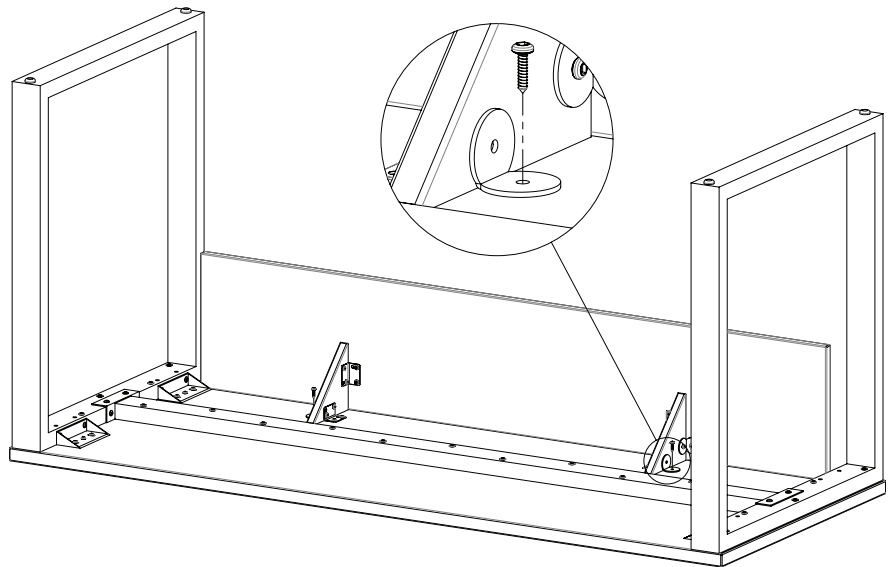
### STEP 4

Flip O-leg desk upside down. Position modesty to desired inset. Use L bracket to secure inside of triangles to desk top.



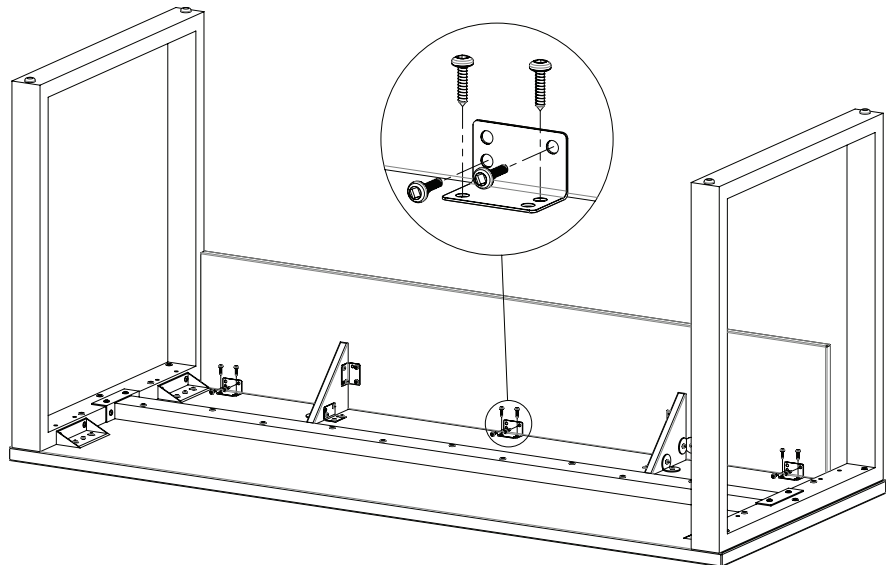
### STEP 5

Use Circular L bracket to secure outside of triangles to top.



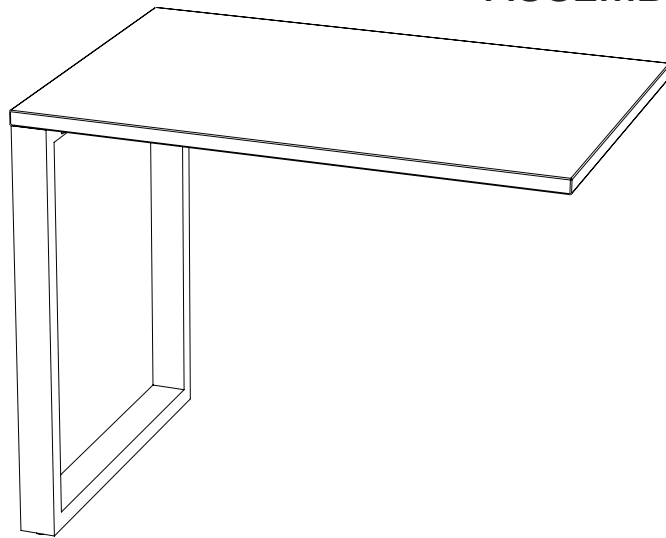
### STEP 6

Use remaining L brackets to secure modesty to desk top.

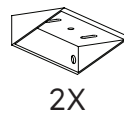
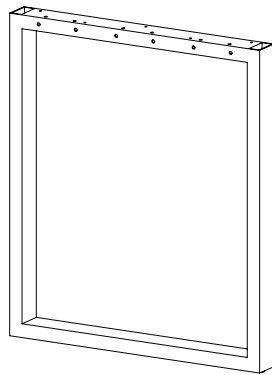
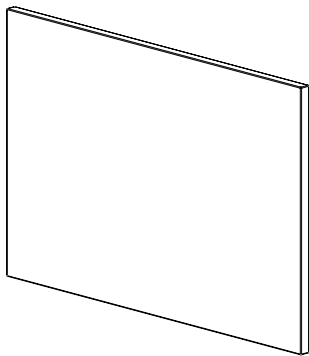


# BELAIR

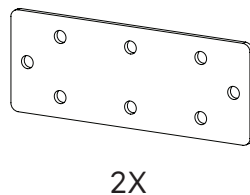
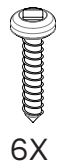
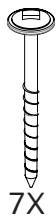
## O-LEG RETURN ASSEMBLY INSTRUCTIONS



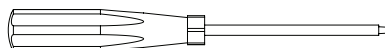
### PARTS INCLUDED



### HARDWARE INCLUDED



### TOOLS REQUIRED



#2 Robertson screwdriver

### DISCLAIMER

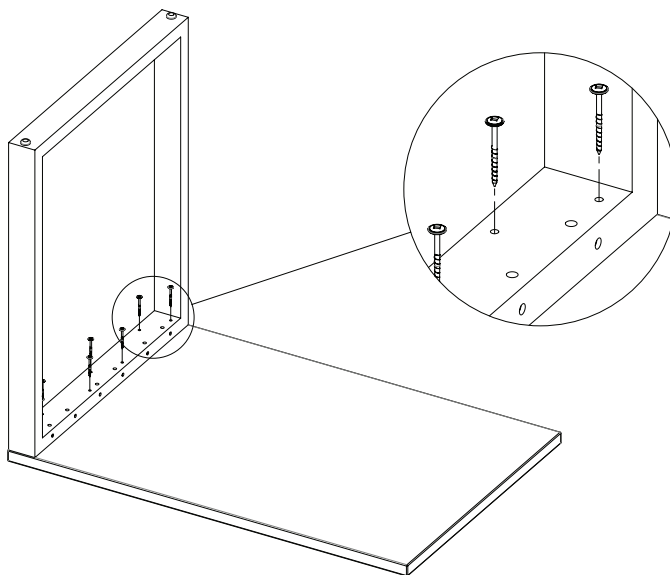
- Two people are recommended for the assembly of this product.
- Use hardware provided and tools recommended to avoid any product faults.
- Always assemble product on a clean soft surface to avoid scratching.

# BELAIR

## O-LEG RETURN

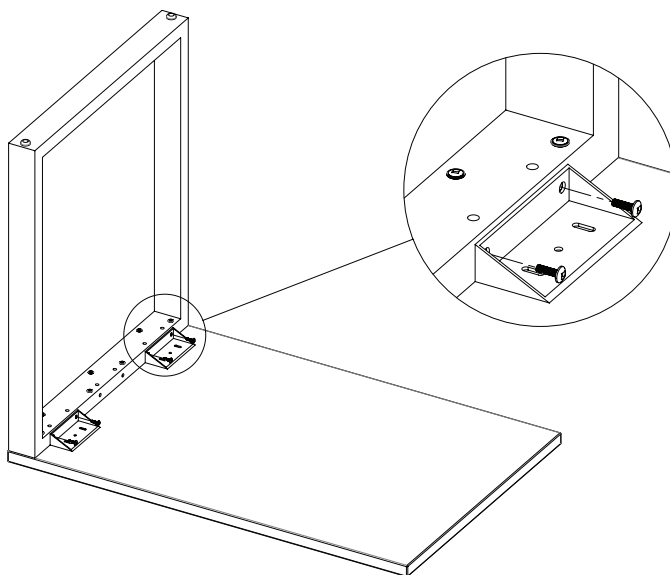
### STEP 1

Lay return top flat and place O-leg on top making sure it is squared at the corners. Screw down O-leg.



### STEP 2

Attach triangle brackets to O-leg with small bolts provided.



### STEP 3

Screw down triangle brackets with small screws. Use connecting flat brackets and remaining screws to connect return to adjacent unit.

